

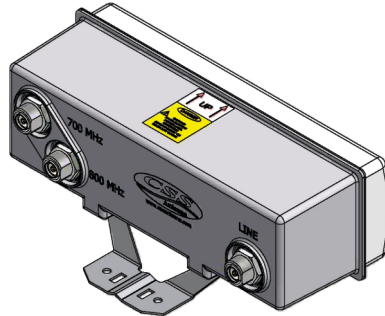


Diplexers DBC-7C-EXT and DBC-7C-INT

Directing our energies for you.

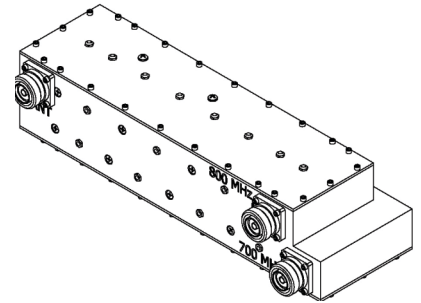
698-894MHz

- Inside and Outside Use Wide Band Diplexers
- Combines 698-794 & 824-894MHz to Reduce Cable
- 500 Watts Per Port for High Power Handling
- Designed for Superb IM Performance
- Insertion Loss .3dB typ, .5dB max



DBC-7C-EXT

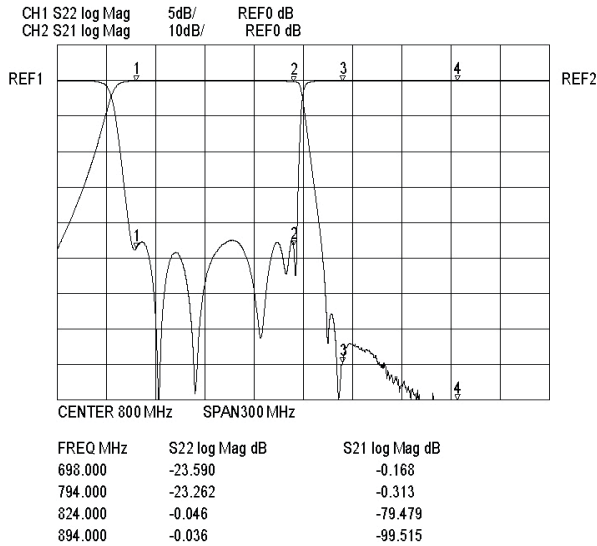
Weather Proof
External Use (DBC-7C-EXT)



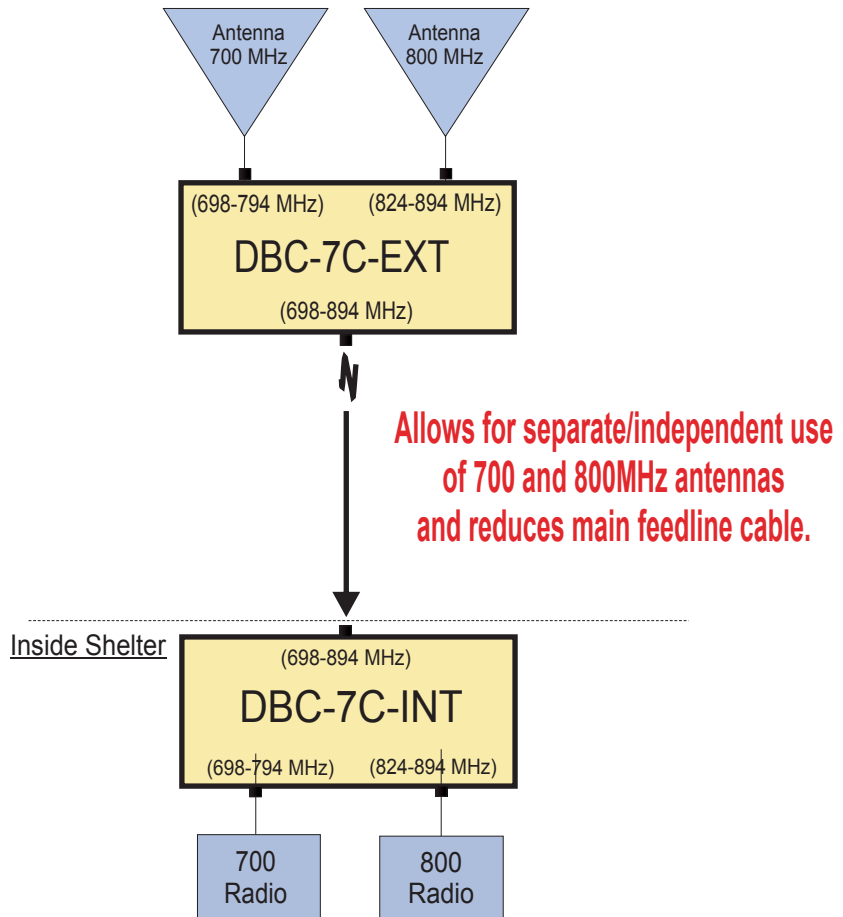
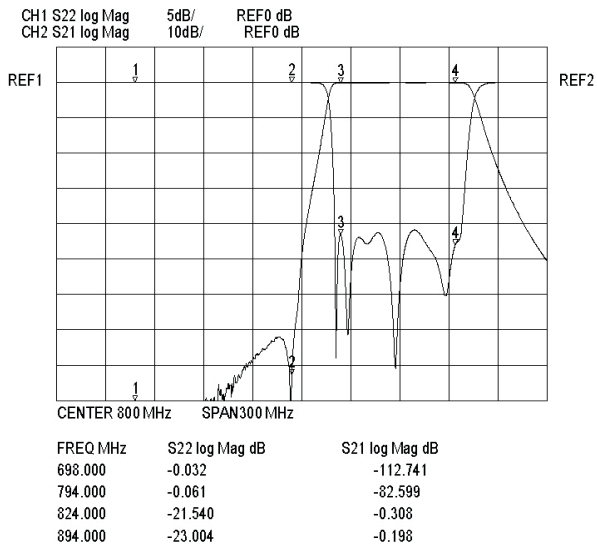
DBC-7C-INT

Internal/Shelter Use Only
(DBC-7C-INT)

Actual Response Curves
700 MHz PORT TO LINE PORT



800 MHz PORT TO LINE PORT





Directing our energies for you.

Diplexer DBC-7C-EXT and DBC-7C-INT

Electrical Specifications

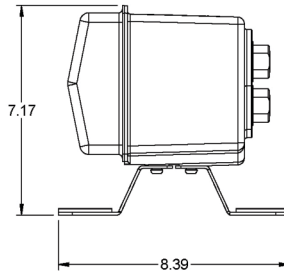
(same for both DBC-7C-EXT and DBC-7C-INT)

700MHz Channel:

Passband 698 to 794 MHz
 Insertion Loss (dB), .3 typ. .5 Max.
 Return Loss (dB), 20 Min.
 Rejection 824 to 894 MHz (dBc), 70 Min.
 Power 500 W CW Max
 Intermodulation (2x20W) <-150dBc

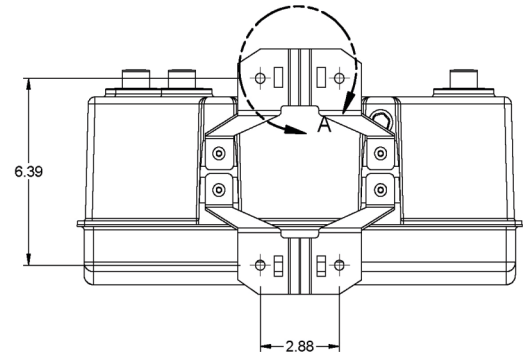
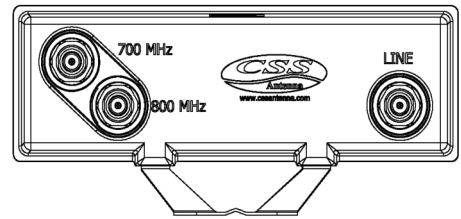
800MHz Channel:

Passband 824 to 894 MHz
 Insertion Loss (dB), .3 typ. .5 Max.
 Return Loss (dB) 20 Min.
 Rejection 698 to 794 MHz (dBc), 70 Min.
 Power 500 W CW Max / Port
 Intermodulation (2x20W) <-150dBc



DBC-7C-EXT
(weight 16 lbs)

Unit Dimensions
(16.1" x 5.3" x 6.4")

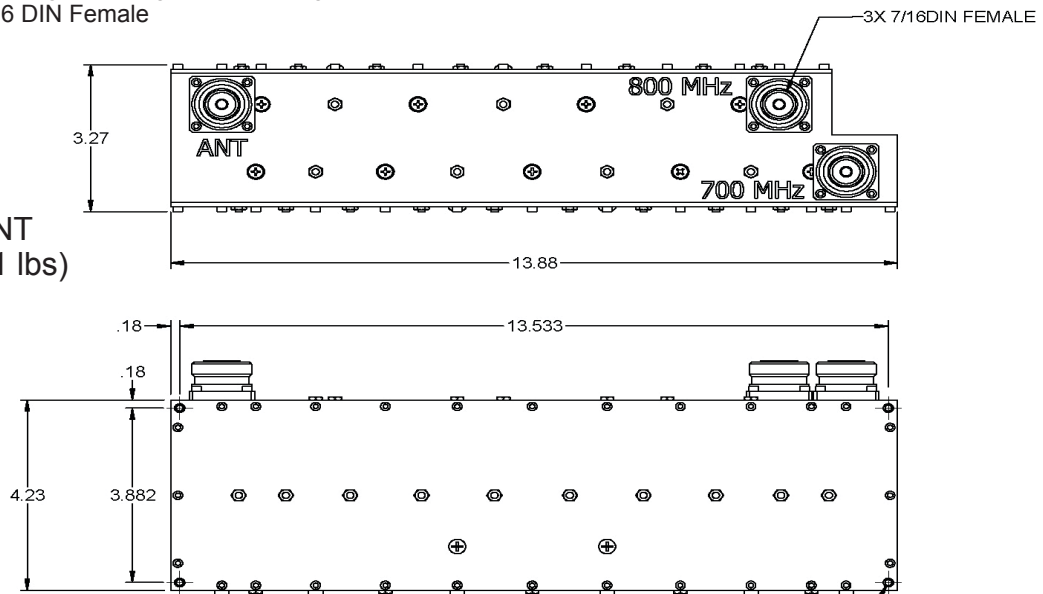


Mechanical Specifications

(same for both DBC-7C-EXT and DBC-7C-INT)

Construction Silver Plated Aluminum
 Finish: Black Epoxy Paint (except where shown)
 Operating Temperature Range: -40 deg C to +85 deg C
 Storage Temperature Range: -50 deg C to +125 deg C
 Connectors: three 7/16 DIN Female

DBC-7C-INT
(weight 6.1 lbs)



Ordering Information

Order Model Number	Description
--------------------	-------------

DBC-7C-EXT	698-894MHz diplexer, weather proof for external or internal use, three 7/16 DIN connectors
DBC-7C-INT	698-894MHz diplexer, for internal use only, three 7/16 DIN connectors