



X7CAP-265

65° Azimuth Beam, 24.0 inches

Directing our energies for you.

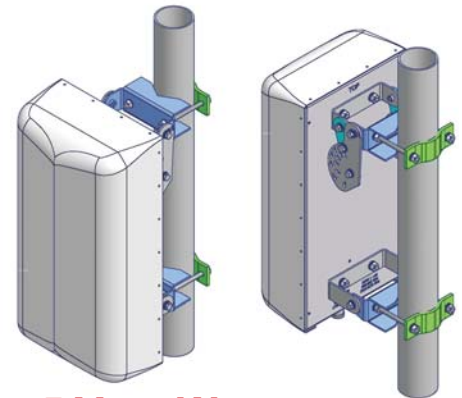
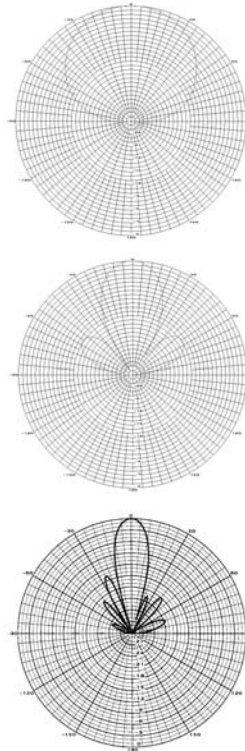
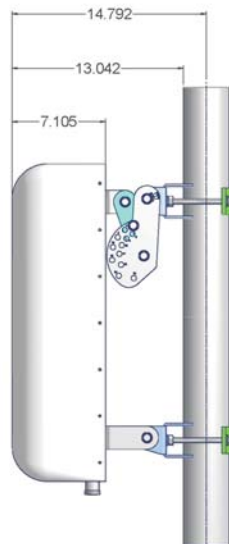
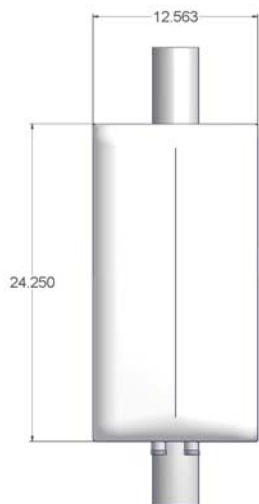
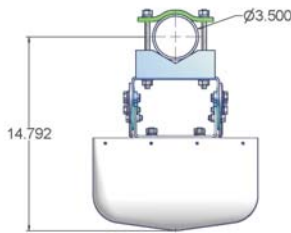
698-896 & 1710-2170 MHz Band

Electrical Specifications

Frequency	698-896 & 1710-2170 MHz
Polarization	Slant +/- 45
Gain Low Band	10.0 dBd
Gain High Band	12.7 dBd
Horizontal Beam (3dB Points)	63° & 65°
Vertical Beam (3dB Points)	28° & 14.5°
Electrical Downtilt Options	2, 4 or 6°
VSWR / Return Loss	<1.45:1 / 14.7 dB
Front-to-Back at Horizon	>27 dB
Impedance	50 Ohms
Power Input Per Connector	500/250 Watts CW
Isolation	< -26 dB
Intermodulation (2x20W)	<-150 dBc

Mechanical Specifications

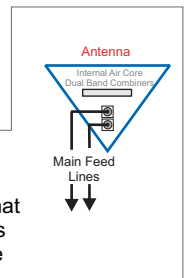
Input Connector (female)	Bottom Mount Only 7/16 DIN (silver finish)
Antenna Dimensions (LxWxD)	24.0 x 12.5 x 7.1 in. (610 x 318 x 180mm)
*Antenna Weight	13.2 lbs
Bracket Weight	12.6 lbs
Lightning Protection	Direct Ground
RF Distribution	Printed Microstrip Substrate
Radome	Ultra High-Strength Luran
Weatherability	UV Stabilized, ASTM D1925
Radome Water Absorption	ASTM D570, 0.45%
Environmental	MIL-STD-810E
Wind Survival	150 mph
Front Wind Load @ 100MPH	62 lbs
Equivalent Flat Plate @ 100MPH	1.25 sq-ft. (c=2)
Mounting Brackets	Fits 3.5 Inch Max. O.D. Pipe
Mechanical Downtilt Range	0-21°
Clamps/Bolts	Hot Dip Galvanized Steel/Stainless Steel



5 Year Warranty

Available with Opt "i"

- The Opt "i" antenna option provides Integrated Dimplexers that reduce mainline cables and eliminate separate



Ordering Information & Options

- X7CAP-265-xy-bot "-bot" is for bottom mounted connectors, "xy" is a placeholder for the built-in fixed electrical downtilt in degrees 2, 4 or 6, "x" for low band, y for high band.
- X7CAP-265-xyi-bot to add the Opt "i" option for integrated dimplexers, add "i" to model number
- X7CAP-265-xyi-bot-j# add a "j#" to add a 1/2" RF cable, where "#" is the cable length, "j2" is 2 meters, "j4" is 4 meters, "j6" is 6 meters...

*Antenna Weight may vary slightly with options such as integrated dimplexers.