



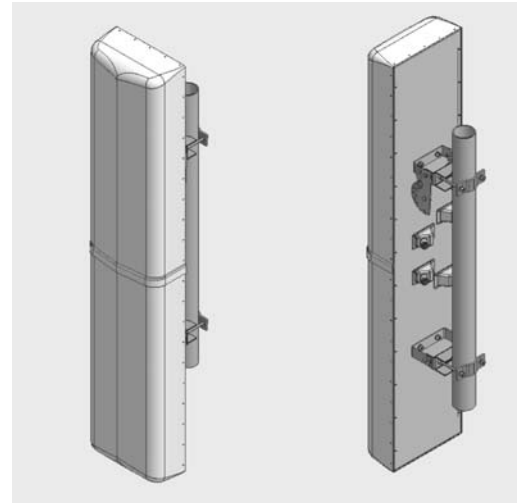
XDU04-65

Directing our energies for you.

4 in 1 Design Dual Band and Dual Polarized

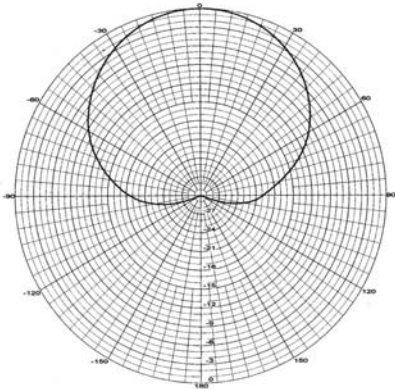
Electrical Specifications

	824-896 MHz	1850-1990 MHz
Gain	14.7 dBi	17.0 dBi
Horizontal Beam (1/2 power)	65°	65°
Vertical Beam (1/2 power)	15°	7°
Electrical Downtilt Options	0, 2, 4 or 6 deg	0, 2, 4 or 6 deg
VSWR	≤1.40:1	≤1.40:1
VSWR (with -i option)	≤1.50:1	≤1.50:1
Front-to-Back Ratio	>26 dB	>30 dB
Upper Side Lobe Supp.	<-17 dB	<-18 dB
Polarization	±45°	±45°
Impedance	50 ohms	50 ohms
Power Input Rating (per port)	500 CW	250 CW
Intermodulation (2x20w)	typ. -150 dBc	typ. -150 dBc
Port to Port Isolation	>30 dB	>30 dB
Cross Polar Discrimination	>17 dB	>17 dB

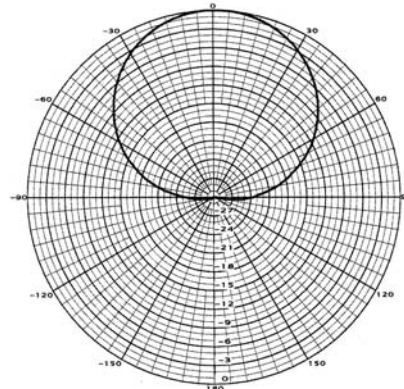


65° Horizontal Beams
15° & 7° Vertical Beams
14.7 & 17.0 dBi Gain

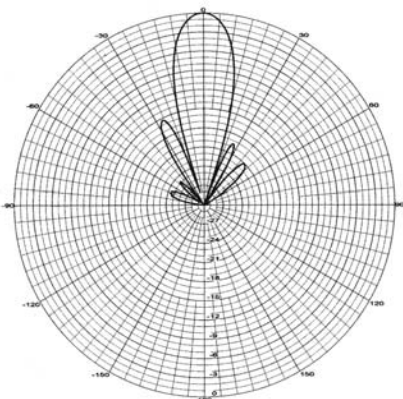
824-896 MHz
Horizontal pattern



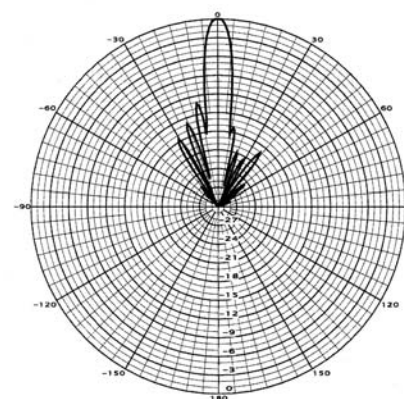
1850-1990 MHz
Horizontal pattern



Vertical pattern



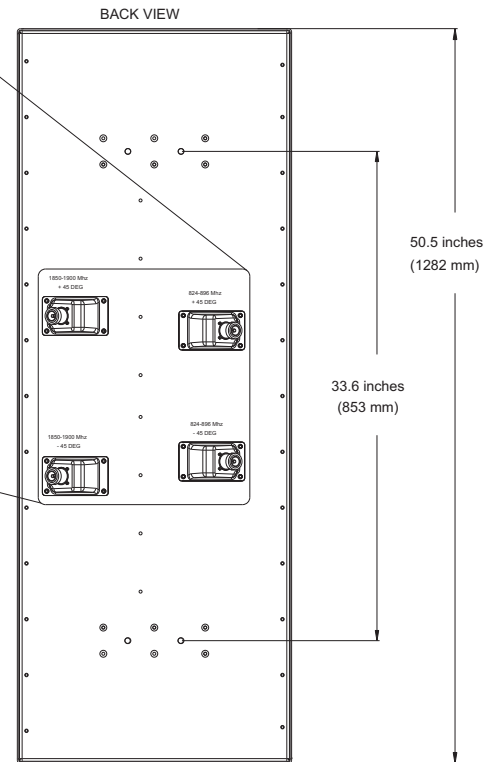
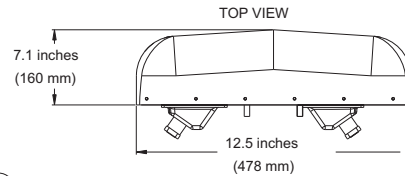
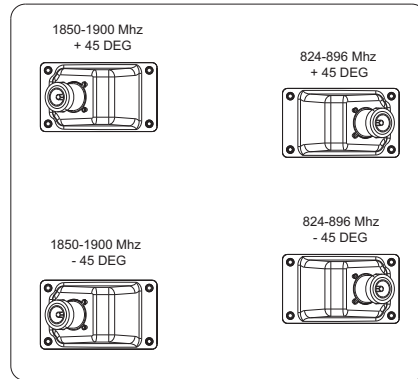
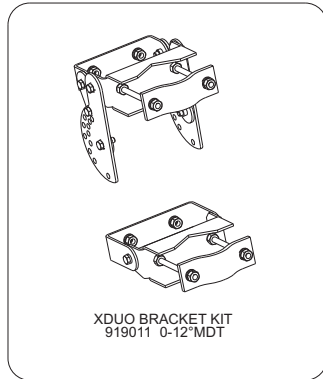
Vertical pattern





Directing our energies for you.

XDUO4-65



Mechanical Specifications

Input Connectors (female)	Four Back Mounted 7/16 DIN
Antenna Dimensions	50.5 x 12.5 x 7.1 Inches
Antenna Weight	28 lbs
Bracket Weight	13 lbs
Lightning Protection	Direct Ground
RF Distribution	Printed Microstrip Substrate
Radome	Ultra High-Strength Luran
Weatherability	UV Stabilized, ASTM D1925
Radome Water Absorption	ASTM D570, 0.45%
Environmental	MIL-STD-810E
Wind Survival	150 mph
Front Wind Load at 100 mph	124.3 lbs
Front Flat Plate Equivalent	2.53 sq-ft. (c=2)
Mounting Brackets	Fits 2.5 to 3 Inch Schedule 40 Pipe
Mechanical Downtilt Range	0-12 Degrees in 1 Degree Increments
Clamps/Bolts	Hot Dip Galvanized Steel/Stainless Steel

Model Numbers Option Descriptions

XDUO4-65-xy	x=Electrical Downtilt at 800 MHz in Degrees (0, 2, 4 or 6)
	y=Electrical Downtilt at 1900 MHz in Degrees (0, 2, 4 or 6)
XDUO4-65-xyi	Dual Band Combiner included as an internal device

Downtilt and Mounting Bracket Included.