



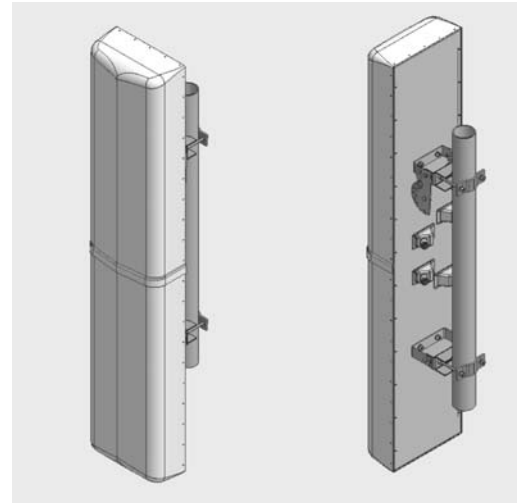
XDU06-65

Directing our energies for you.

4 in 1 Design Dual Band and Dual Polarized

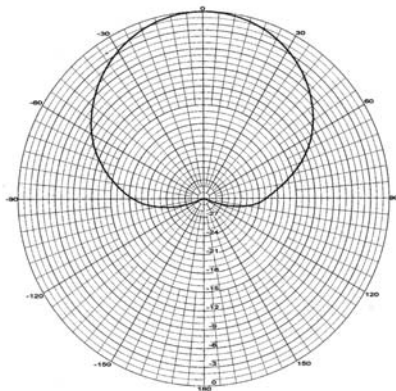
Electrical Specifications

	<u>824-896 MHz</u>	<u>1850-1990 MHz</u>
Gain	16.1 dBi	18.6 dBi
Horizontal Beam (1/2 power)	65°	65°
Vertical Beam (1/2 power)	11°	5°
Electrical Downtilt Options	0, 2, 4 or 6 deg	0, 2, 4 or 6 deg
VSWR	≤1.40:1	≤1.40:1
VSWR (with -i option)	≤1.50:1	≤1.50:1
Front-to-Back Ratio	>24 dB	>30 dB
Upper Side Lobe Supp.	<-18 dB	<-20 dB
Polarization	±45°	±45°
Impedance	50 ohms	50 ohms
Power Input Rating (per port)	500 CW	250 CW
Intermodulation (2x20w)	typ. -150 dBc	typ. -150 dBc
Port to Port Isolation	>30 dB	>30 dB
Cross Polar Discrimination	>16 dB	>18 dB

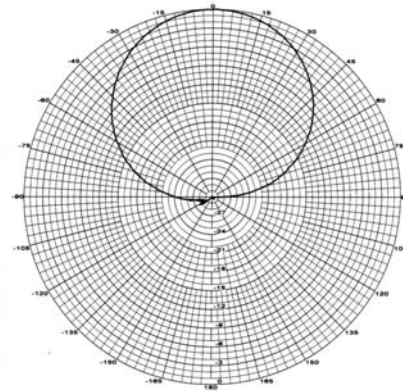


65° Horizontal Beams
11° & 5° Vertical Beams
16.1 & 18.6 dBi Gain

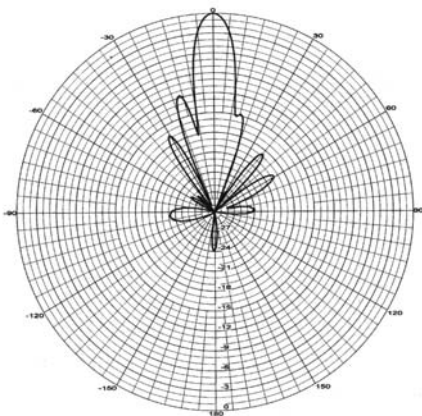
824-896 MHz
Horizontal pattern



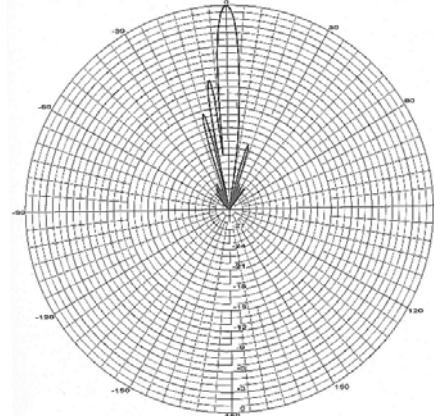
1850-1990 MHz
Horizontal pattern



Vertical pattern



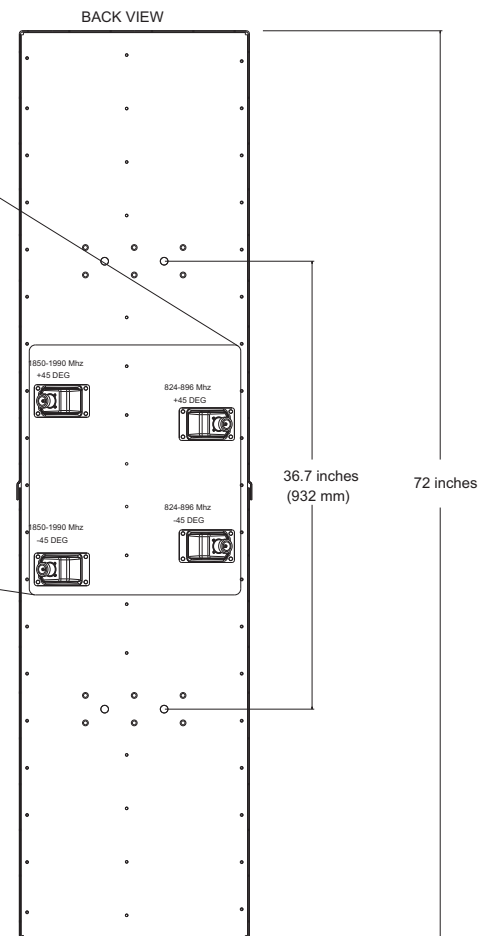
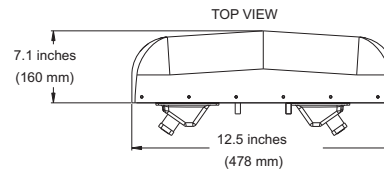
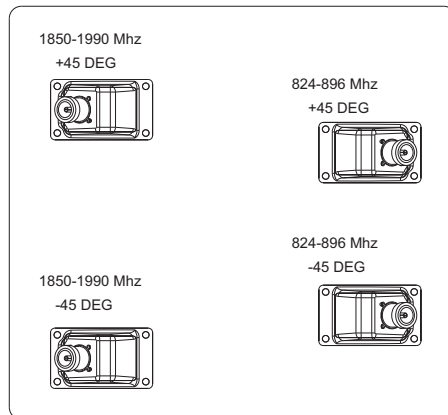
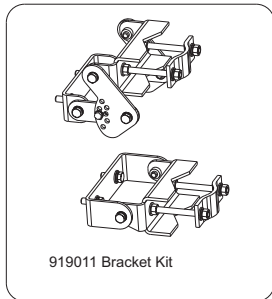
Vertical pattern





Directing our energies for you.

XDUO6-65



Mechanical Specifications

Input Connectors (female)	Two or Four Back Mounted 7/16 DIN
Antenna Dimensions (same with "Opt-i")	72 x 12.5 x 7.1 Inches
Antenna Dimensions with "Opt-i7"	72 x 12.5 x 10.1 Inches
Antenna Weight	37 lbs
Antenna Weight with "Opt-i"	43 lbs
Antenna Weight with "Opt-i7"	67 lbs
Bracket Weight	13 lbs
Lightning Protection	Direct Ground
RF Distribution	Printed Microstrip Substrate
Radome	Ultra High-Strength Luran
Weatherability	UV Stabilized, ASTM D1925
Radome Water Absorption	ASTM D570, 0.45%
Environmental	MIL-STD-810E
Wind Survival	150 mph
Front Wind Load at 100 mph	183 lbs
Front Flat Plate Equivalent	3.73 sq-ft. (c=2)
Mounting Brackets	Fits 2.5 to 3 Inch Schedule 40 Pipe
	0-12 Degrees in 1 Degree Increments

Model Numbers Option Descriptions

XDUO6-65-xy	x=Electrical Downtilt at 800 MHz in Degrees (0, 2, 4 or 6) y=Electrical Downtilt at 1900 MHz in Degrees (0, 2, 4 or 6)
XDUO6-65-xyi	Dual Band Combiner included as an internal device
XDUO6-65-xyi7	Dual Band Combiner and 700MHz pass thru integrated diplexers

Downtilt and Mounting Bracket Included.