



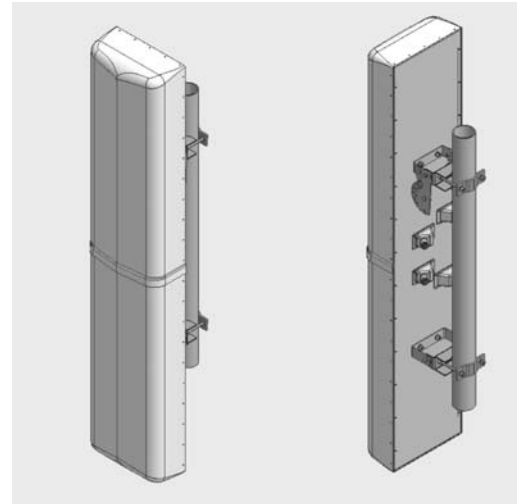
XDU08-65

Directing our energies for you.

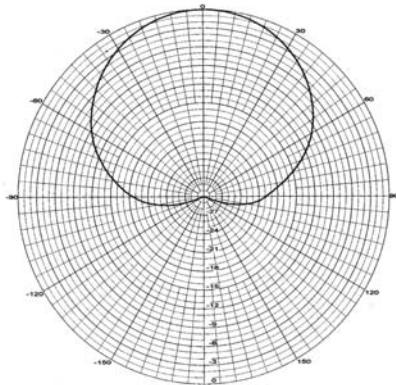
4 in 1 Design
Dual Band and Dual Polarized

Electrical Specifications

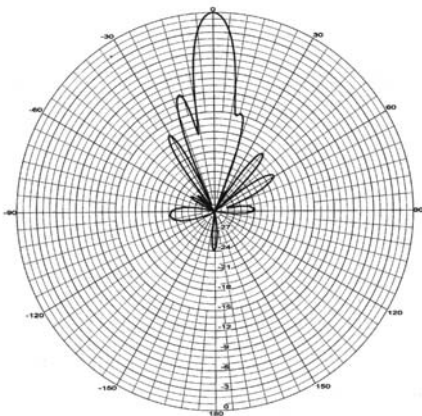
| | 824-896 MHz | 1850-1990 MHz |
|-------------------------------|--------------------|----------------------|
| Gain | 17.5 dBi | 18.6 dBi |
| Horizontal Beam (1/2 power) | 65° | 65° |
| Vertical Beam (1/2 power) | 8° | 5° |
| Electrical Downtilt Options | 0, 2, 4 or 6 deg | 0, 2, 4 or 6 deg |
| VSWR | ≤1.40:1 | ≤1.40:1 |
| VSWR (with -i option) | ≤1.50:1 | ≤1.50:1 |
| Front-to-Back Ratio | >24 dB | >30 dB |
| Upper Side Lobe Supp. | <-18 dB | <-20 dB |
| Polarization | ±45° | ±45° |
| Impedance | 50 ohms | 50 ohms |
| Power Input Rating (per port) | 500 CW | 250 CW |
| Intermodulation (2x20w) | typ. -150 dBc | typ. -150 dBc |
| Port to Port Isolation | >30 dB | >30 dB |
| Cross Polar Discrimination | >16 dB | >18 dB |



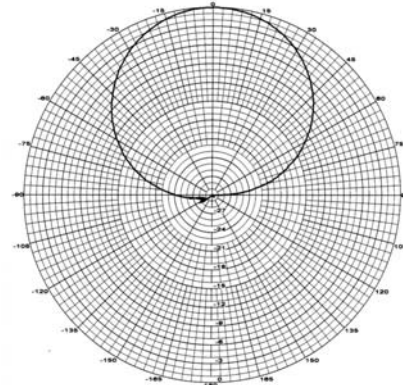
824-896 MHz
Horizontal pattern



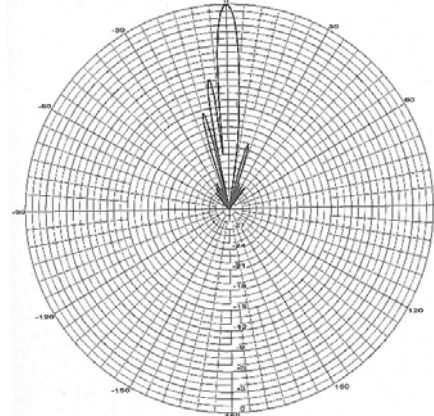
Vertical pattern



1850-1990 MHz
Horizontal pattern



Vertical pattern

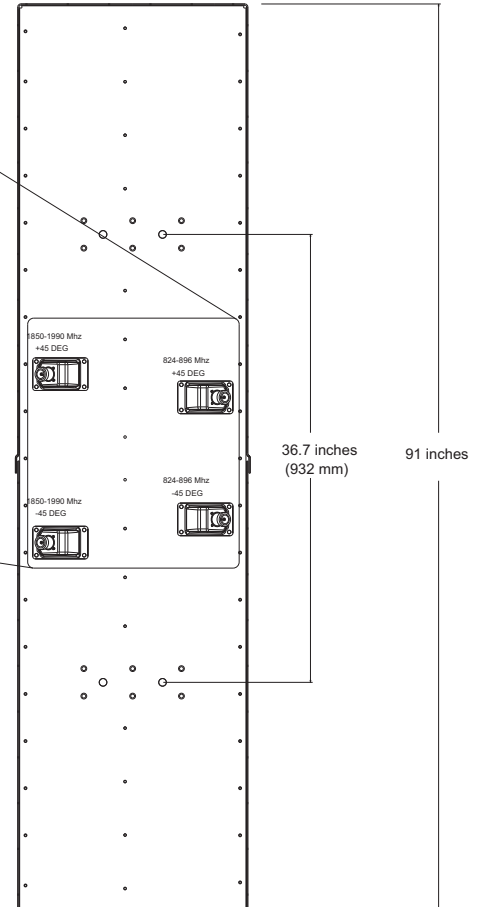
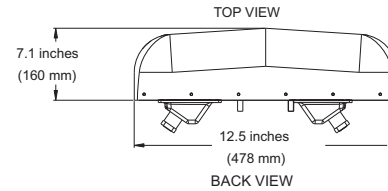
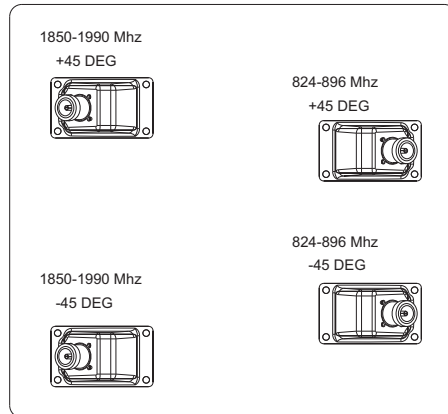
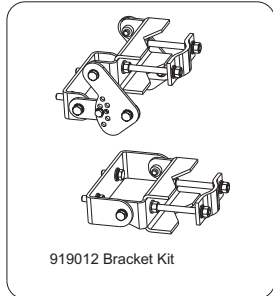


65° Horizontal Beams
8° & 5° Vertical Beams
17.5 & 18.6 dBi Gain



Directing our energies for you.

XDU08-65



Mechanical Specifications

| | |
|-----------------------------|--|
| Input Connectors (female) | Four Back Mounted 7/16 DIN |
| Antenna Dimensions | 91 x 12.5 x 7.1 Inches |
| Antenna Weight | 37 lbs |
| Bracket Weight | 13 lbs |
| Lightning Protection | Direct Ground |
| RF Distribution | Printed Microstrip Substrate |
| Radome | Ultra High-Strength Luran |
| Weatherability | UV Stabilized, ASTM D1925 |
| Radome Water Absorption | ASTM D570, 0.45% |
| Environmental | MIL-STD-810E |
| Wind Survival | 150 mph |
| Front Wind Load at 100 mph | 284.3 lbs |
| Front Flat Plate Equivalent | 5.78 sq-ft. (c=2) |
| Mounting Brackets | Fits 2.5 to 3 Inch Schedule 40 Pipe |
| Mechanical Downtilt Range | 0-12 Degrees in 1 Degree Increments |
| Clamps/Bolts | Hot Dip Galvanized Steel/Stainless Steel |

Model Numbers Option Descriptions

| | |
|--------------|---|
| XDU08-65-xy | x=Electrical Downtilt at 800 MHz in Degrees (0, 2, 4 or 6) |
| | y=Electrical Downtilt at 1900 MHz in Degrees (0, 2, 4 or 6) |
| XDU08-65-xyi | Dual Band Combiner included as an internal device |

Downtilt and Mounting Bracket Included.