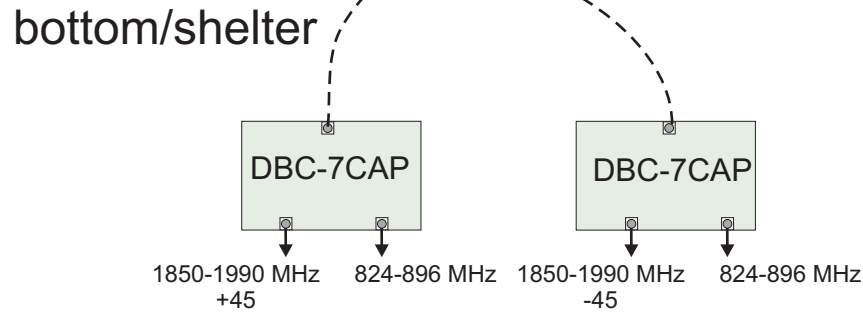
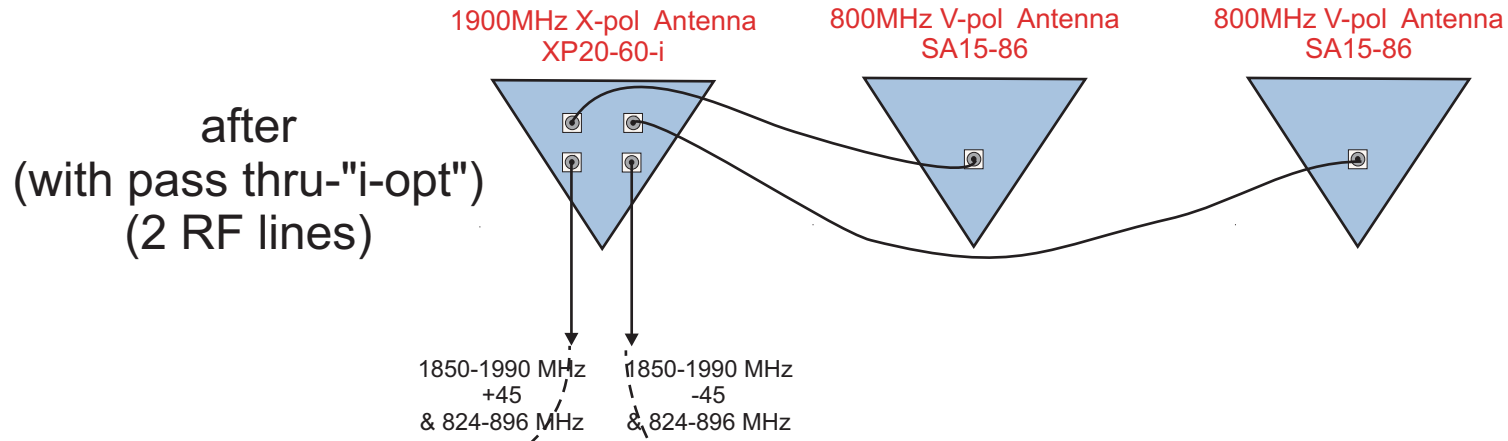
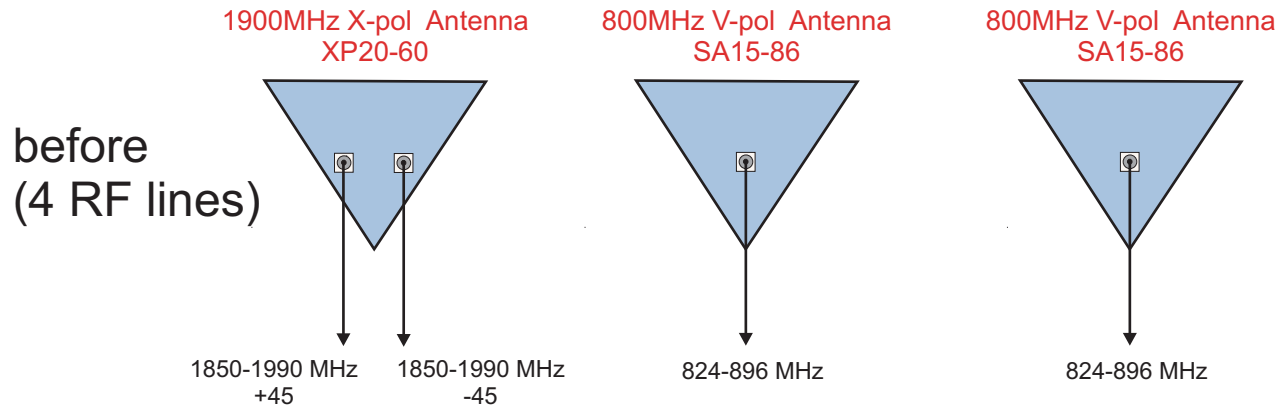




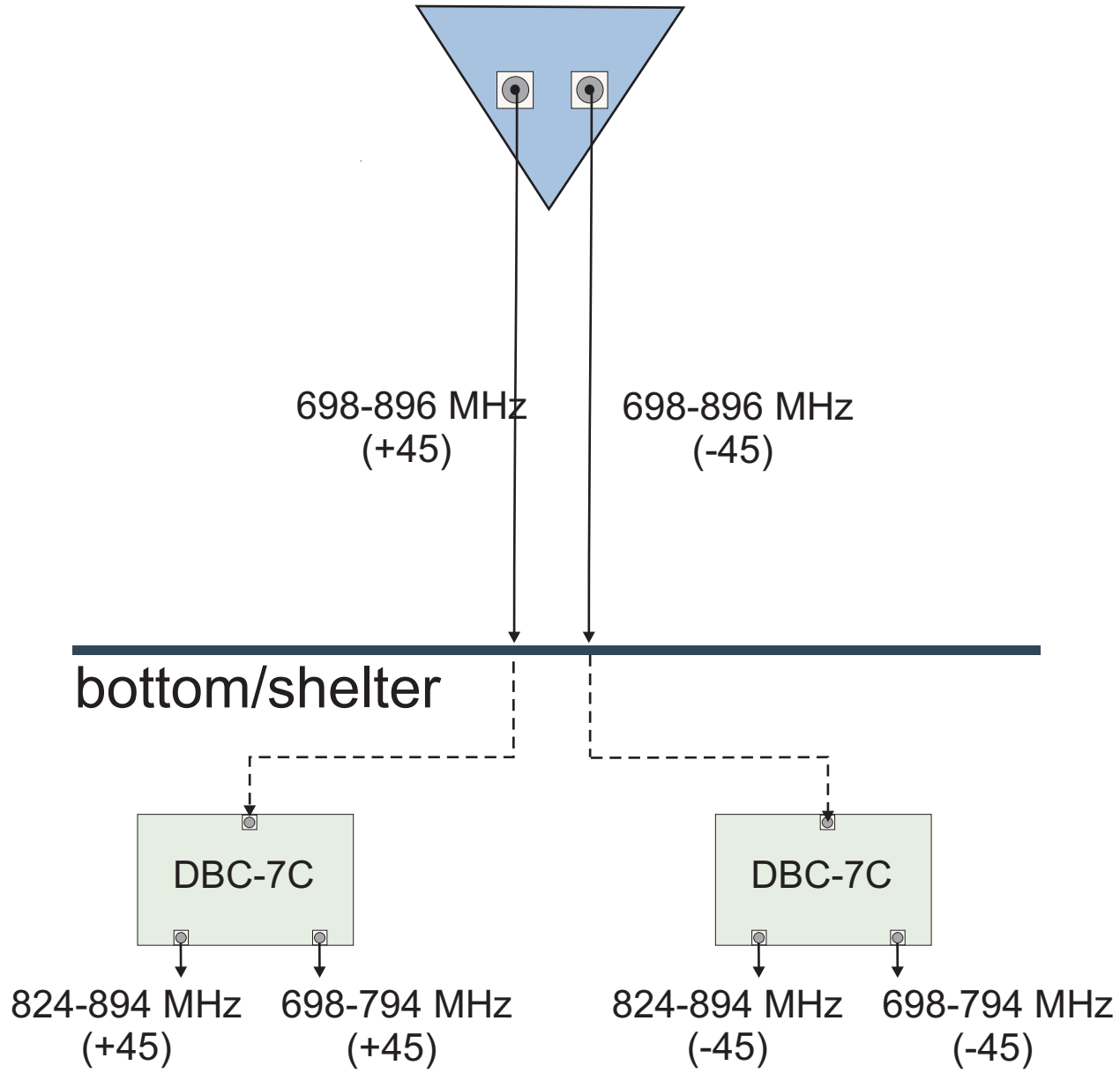
Directing our energies for you.

Integrated and External Diplexer Configurations





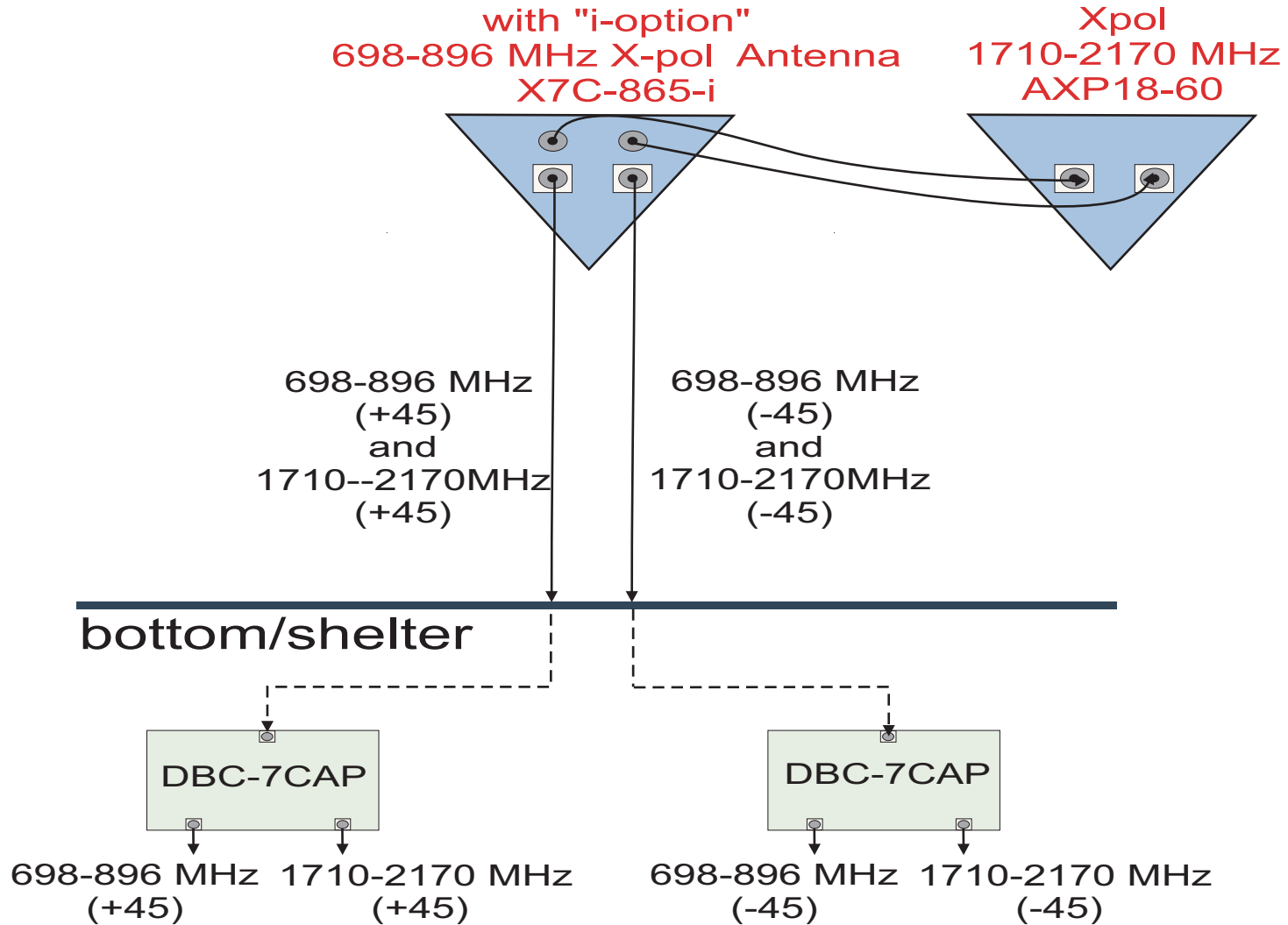
698-896 MHz X-pol Antenna X7C-FRO-660





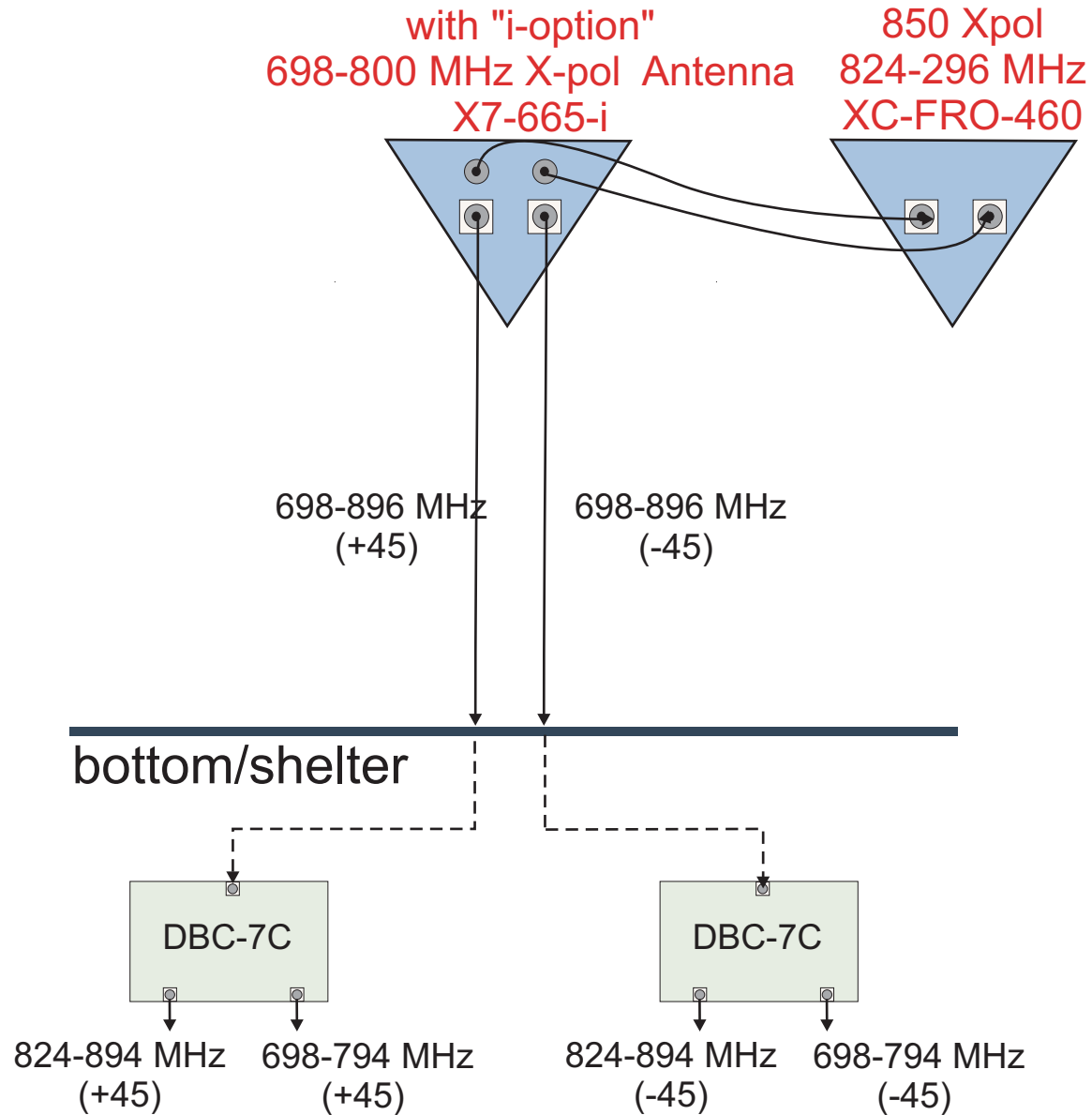
One X7C with an "i" and one PCS/CELL Antenna

This "i-option" pass thru antenna allows for unique antennas with shared main line cable.



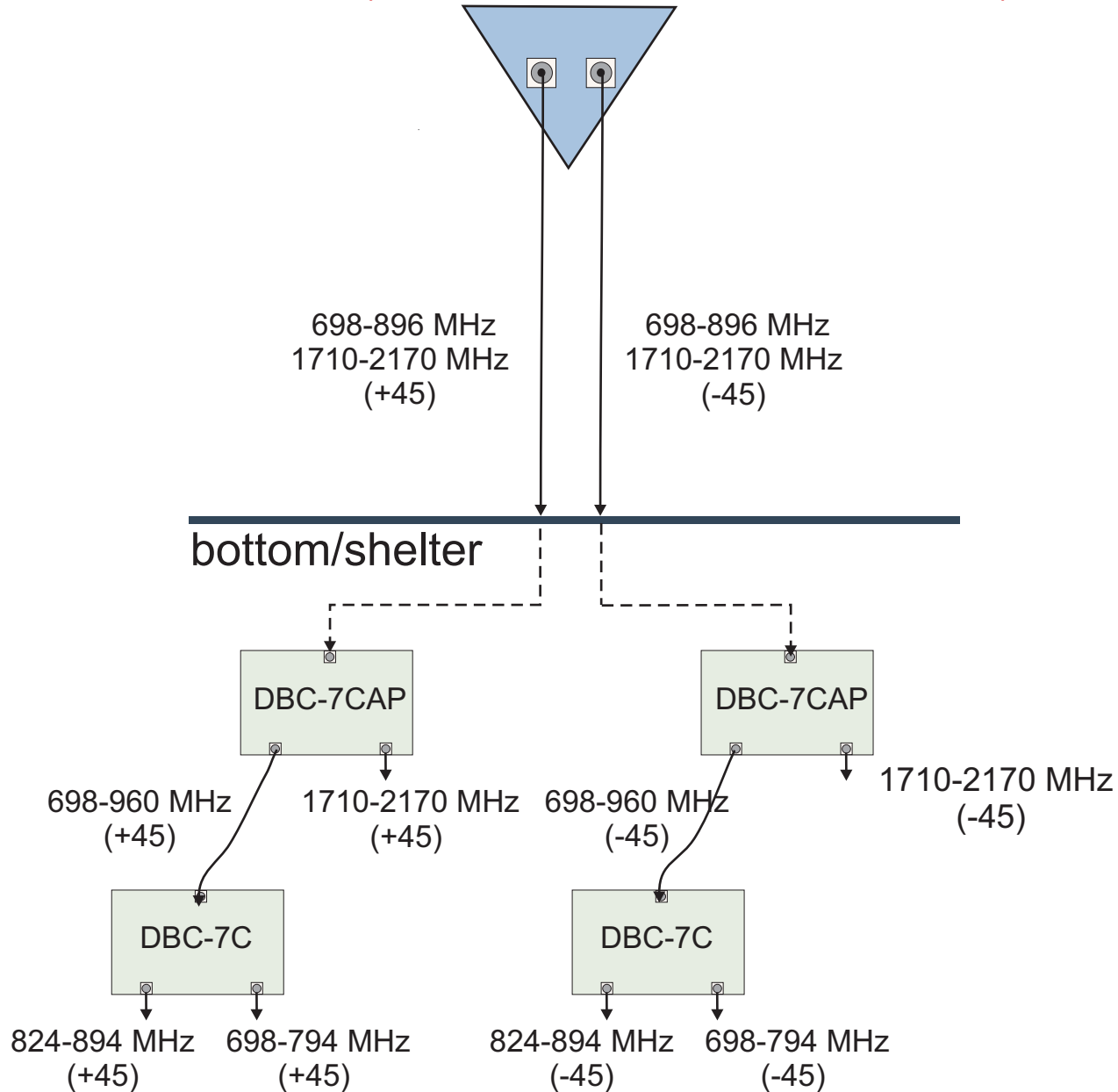


This "i-option" pass thru antenna allows for unique antennas with shared main line cable.





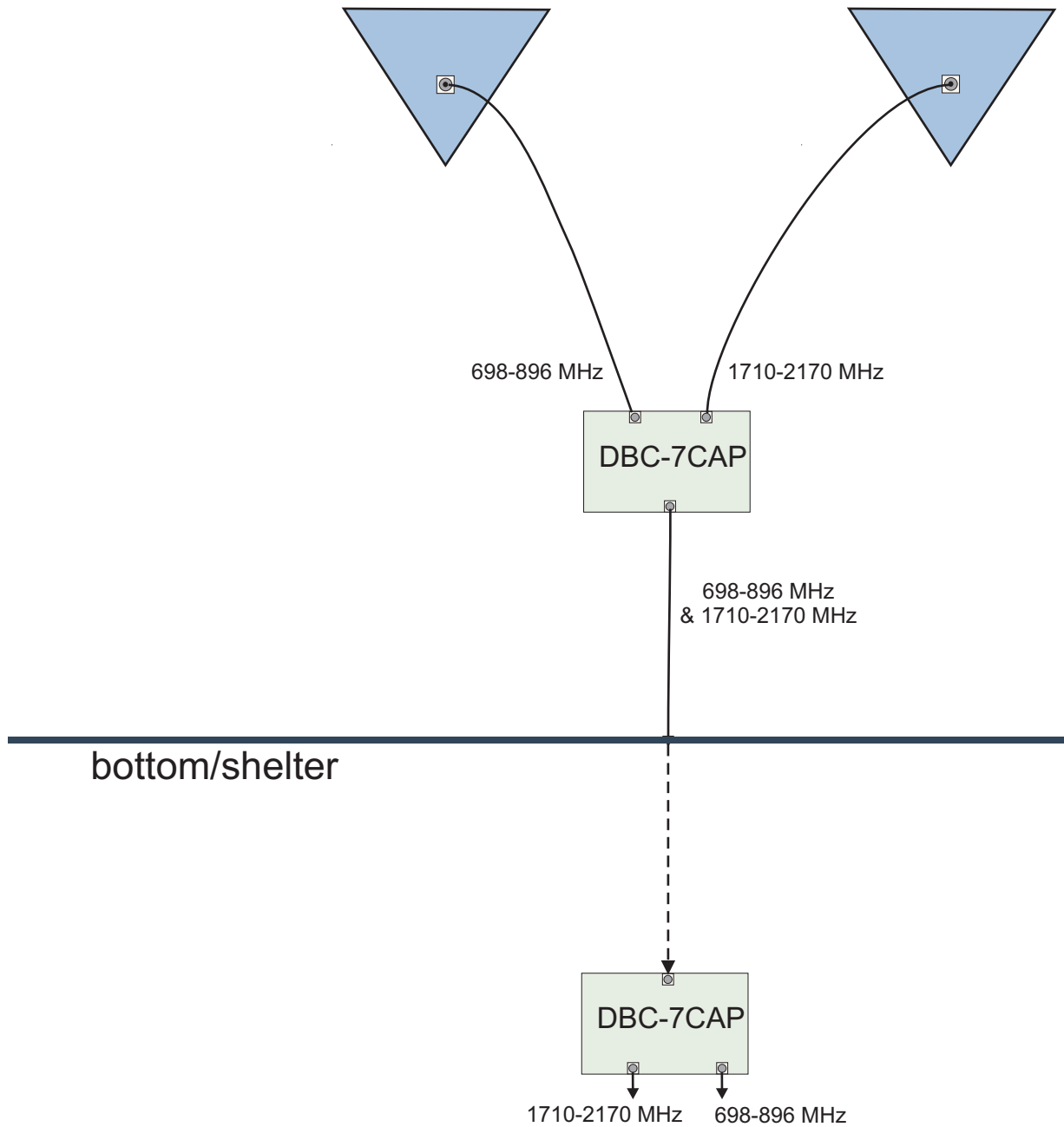
700 & 850 & PCS
698-896 MHz & 1710-2170 MHz
Dual Band & X-pol Antenna
X7CAP-665 (this also includes FLG and CYL models)





698-896MHz V-pol Antenna
V7C-665

1710-2170MHz V-pol Antenna
AMD19-65

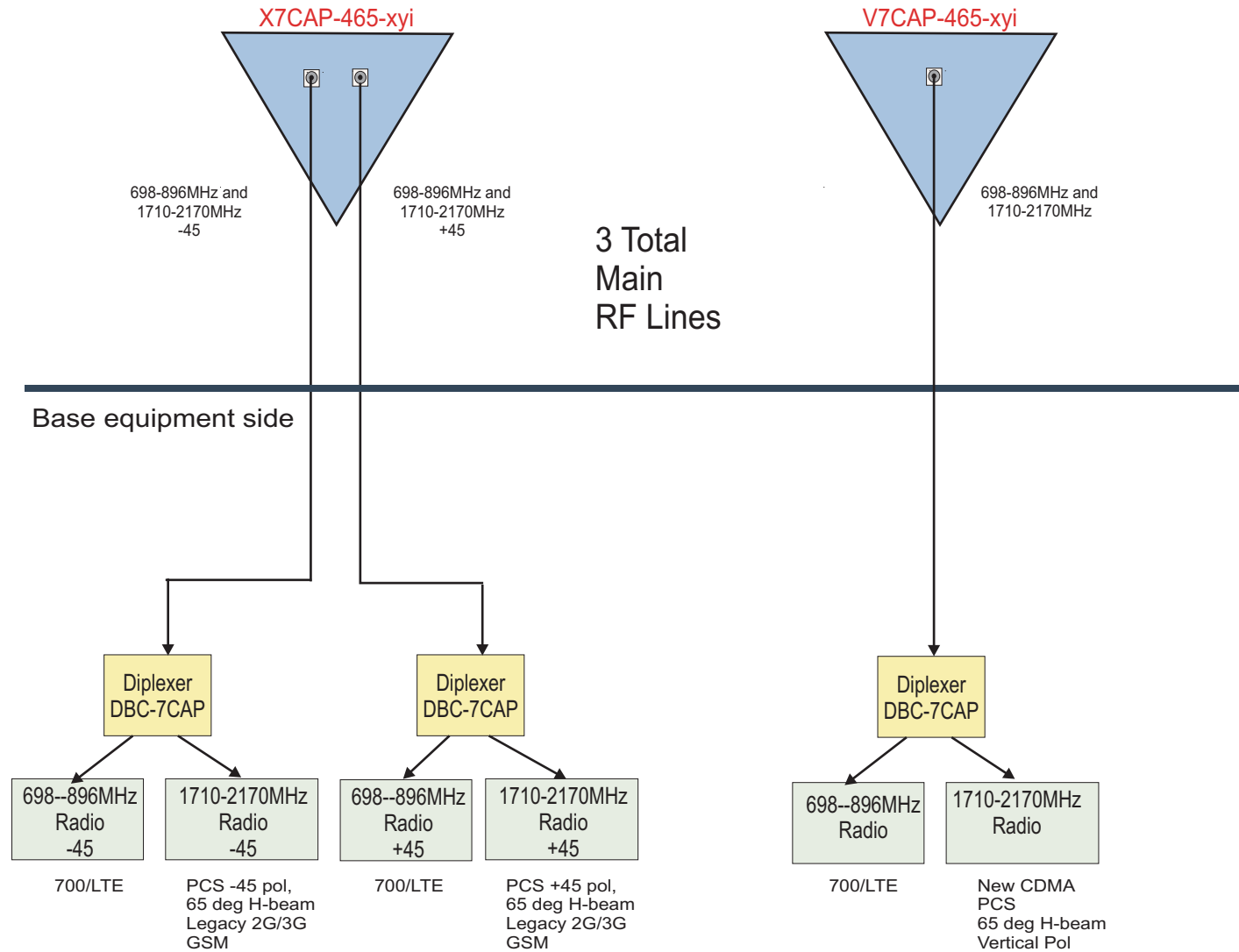




Two Antennas & Three Cables

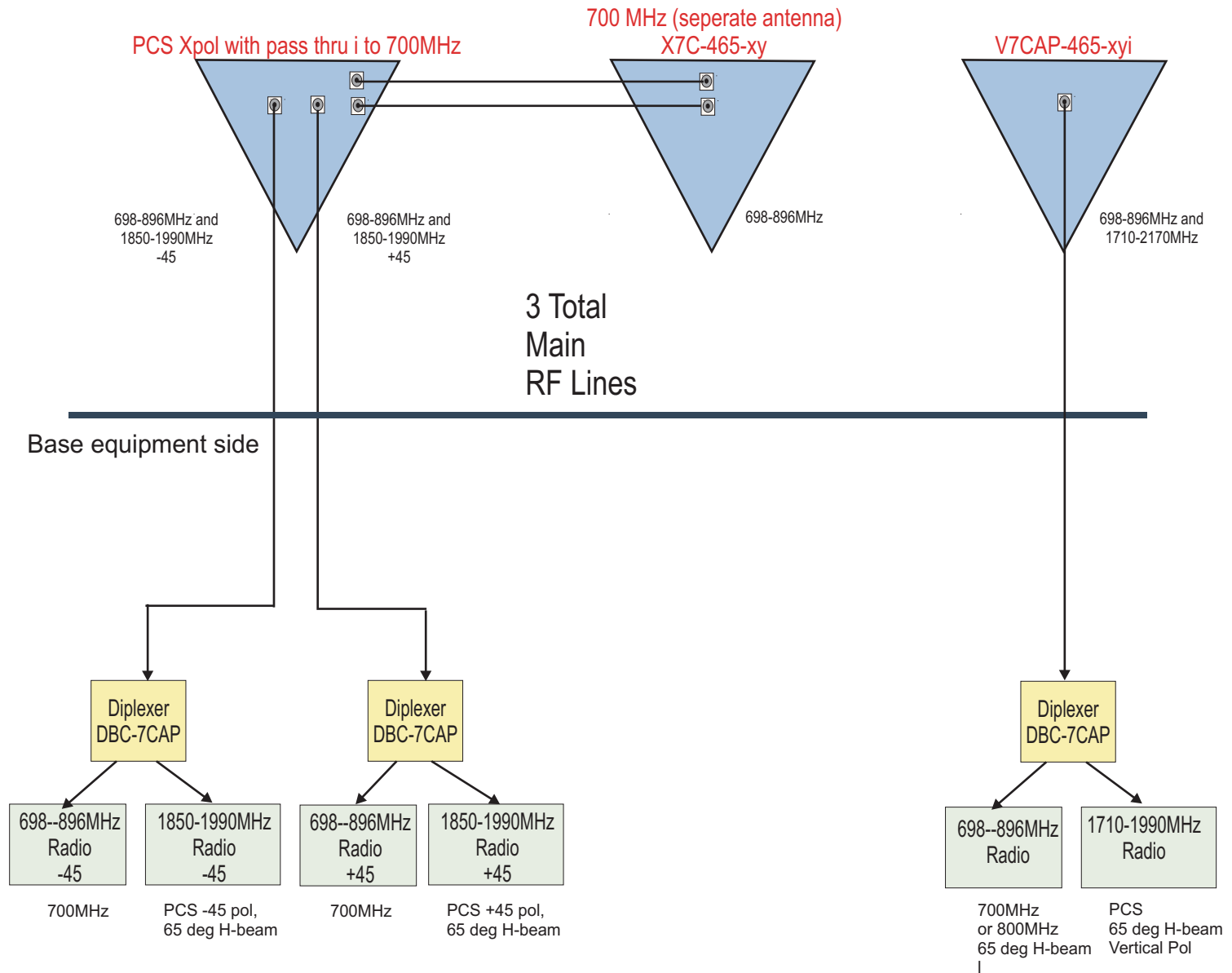
This antenna is a dual band Xpol, 65 deg H-beam. It contains four antennas and two internal diplexers. The internal diplexers reduce four connectors to two connectors so that just two cables are needed. At the base side two additional diplexers are used to separate out the frequency bands.

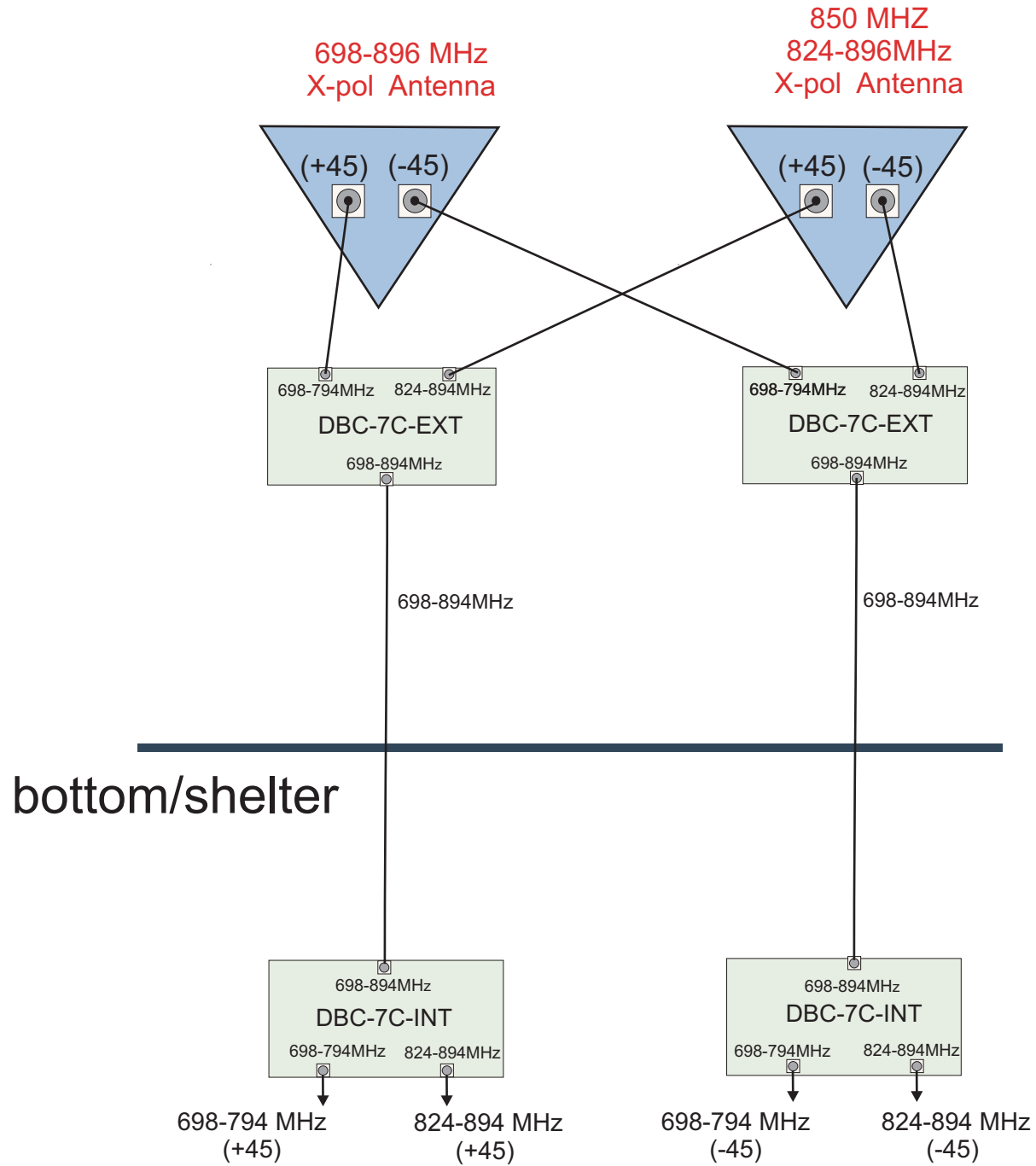
This antenna is a Vpol dual band, 65 deg H-beam.. It contains two antennas and one internal diplexers. The internal diplexer reduces two connectors to one connector so that just one cable is needed. At the base side one additional diplexer is used to separate out the frequency bands.





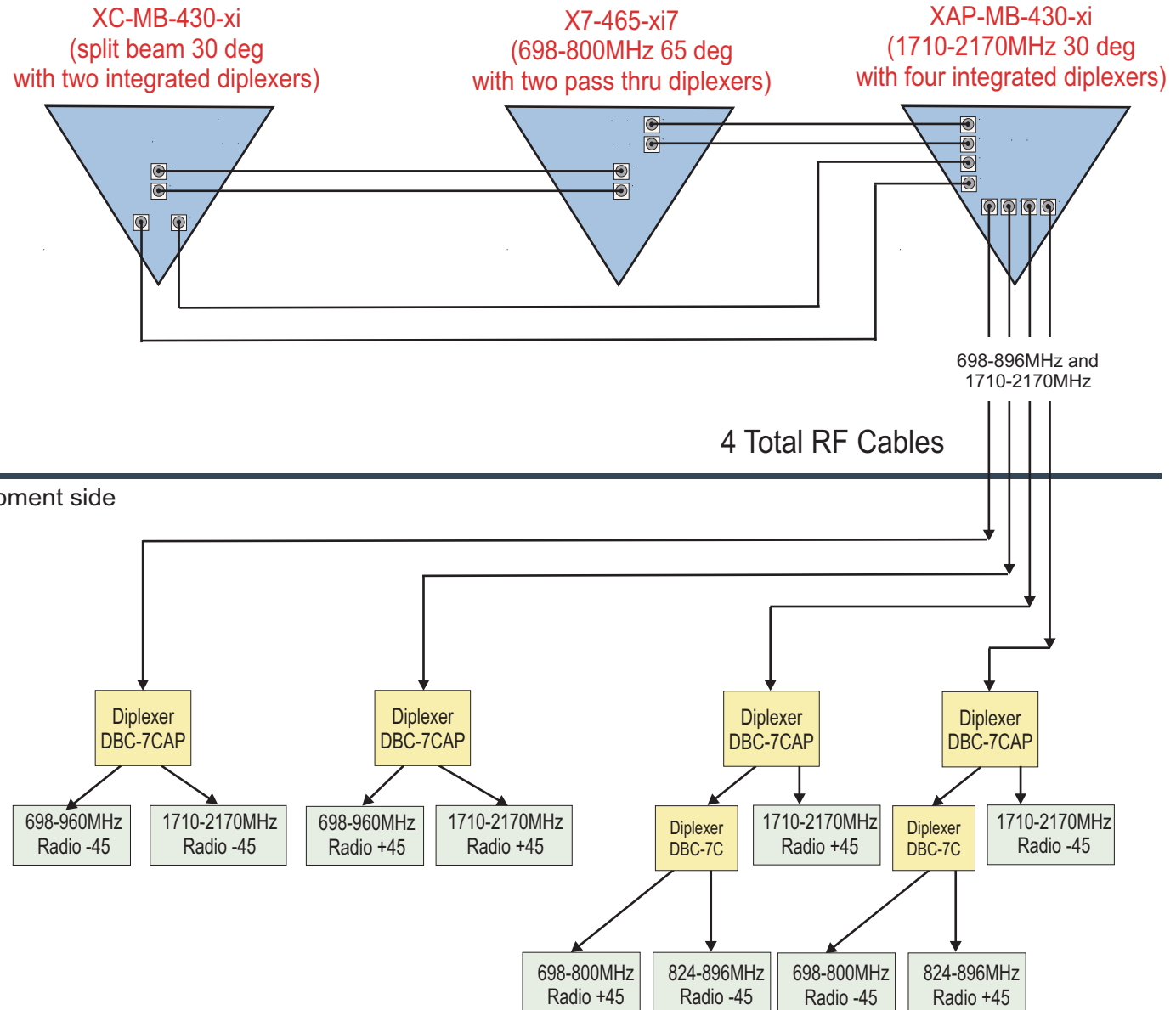
Three Antennas & Three Cables





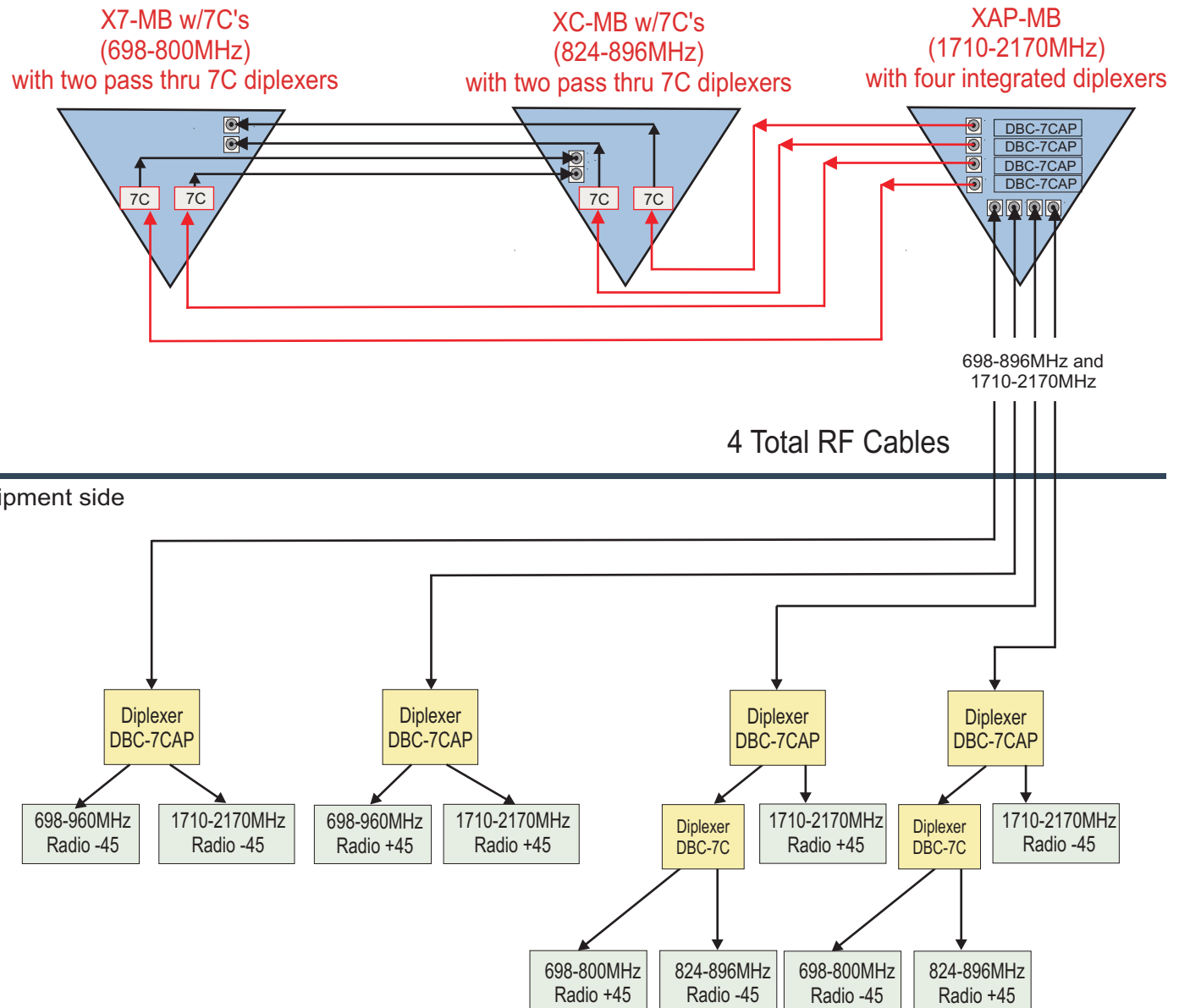


Three Xpol Antennas & Four Cables



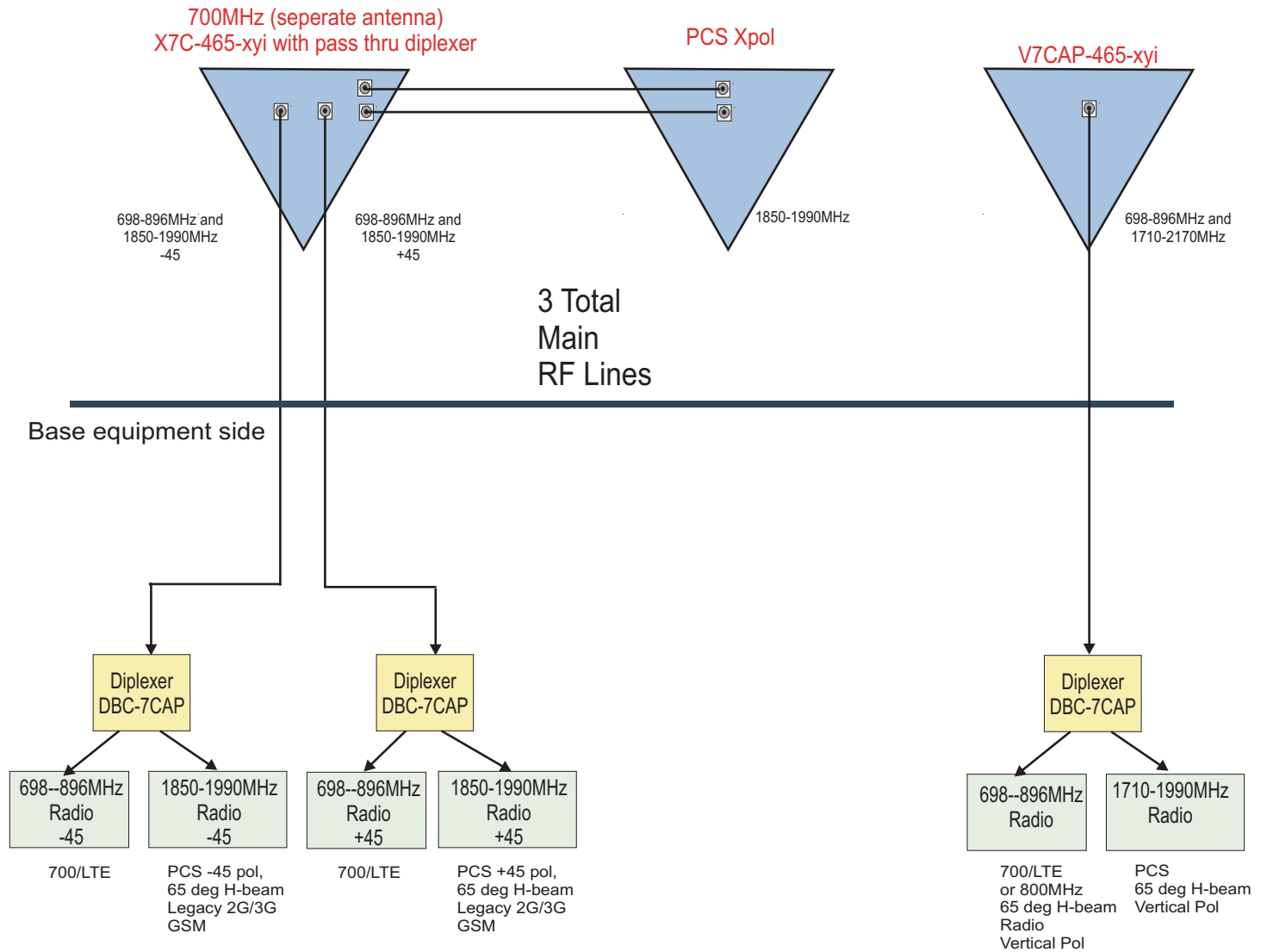


Three Xpol MB Antennas & Four Cables





Three Antennas & Three Cables





Two Cylinders with bottom DBC-7CAP Diplexers

Top

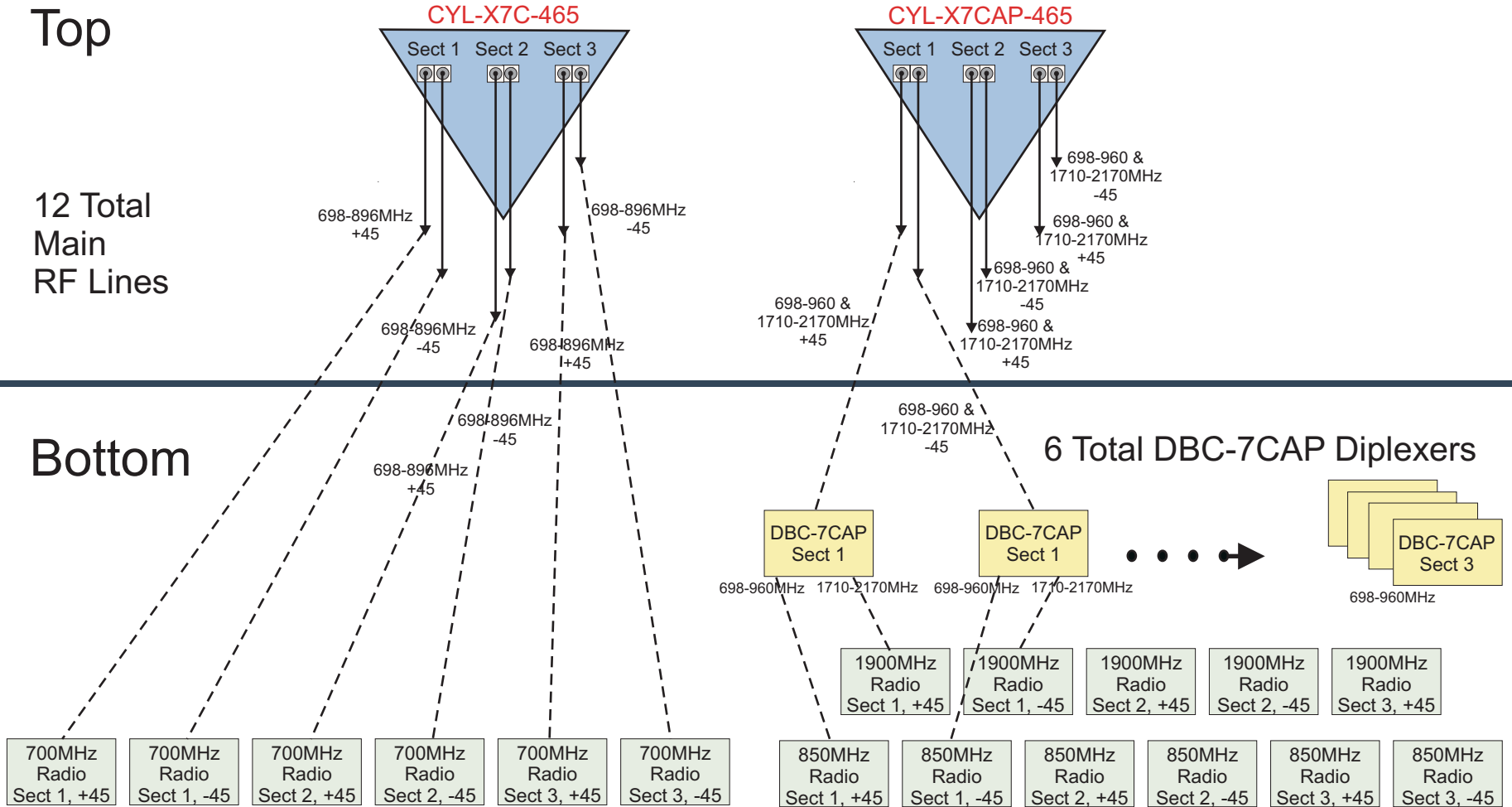
CYL-X7C-465

CYL-X7CAP-465

12 Total Main RF Lines

Bottom

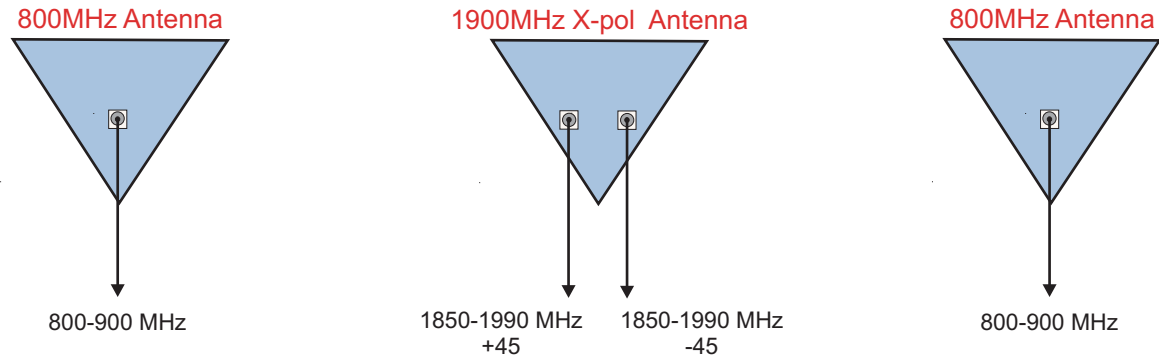
6 Total DBC-7CAP Diplexers



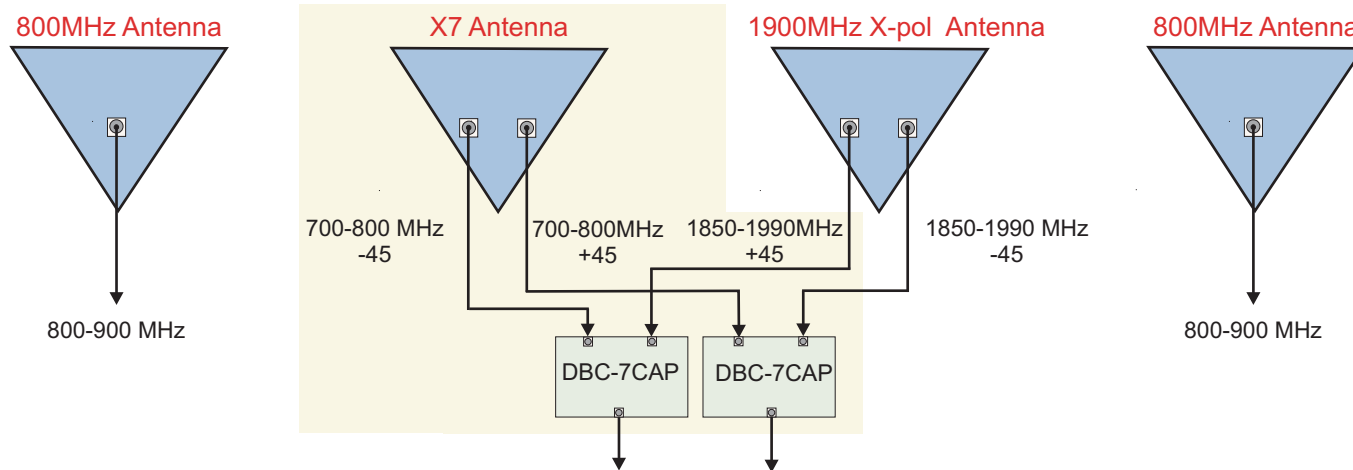


Adding 700MHz Antennas & Maintaining 4 Cables/Sector

before

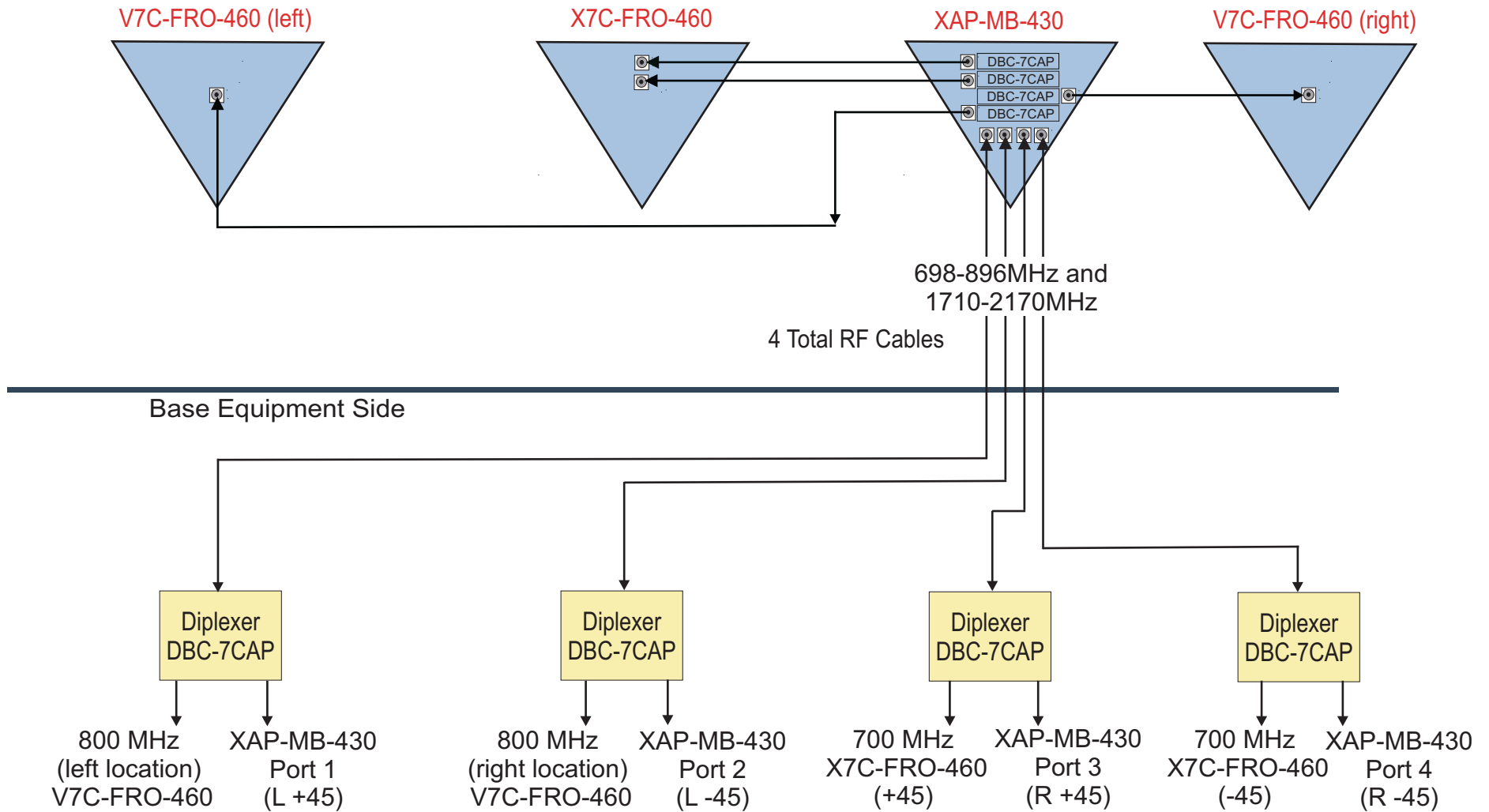


after



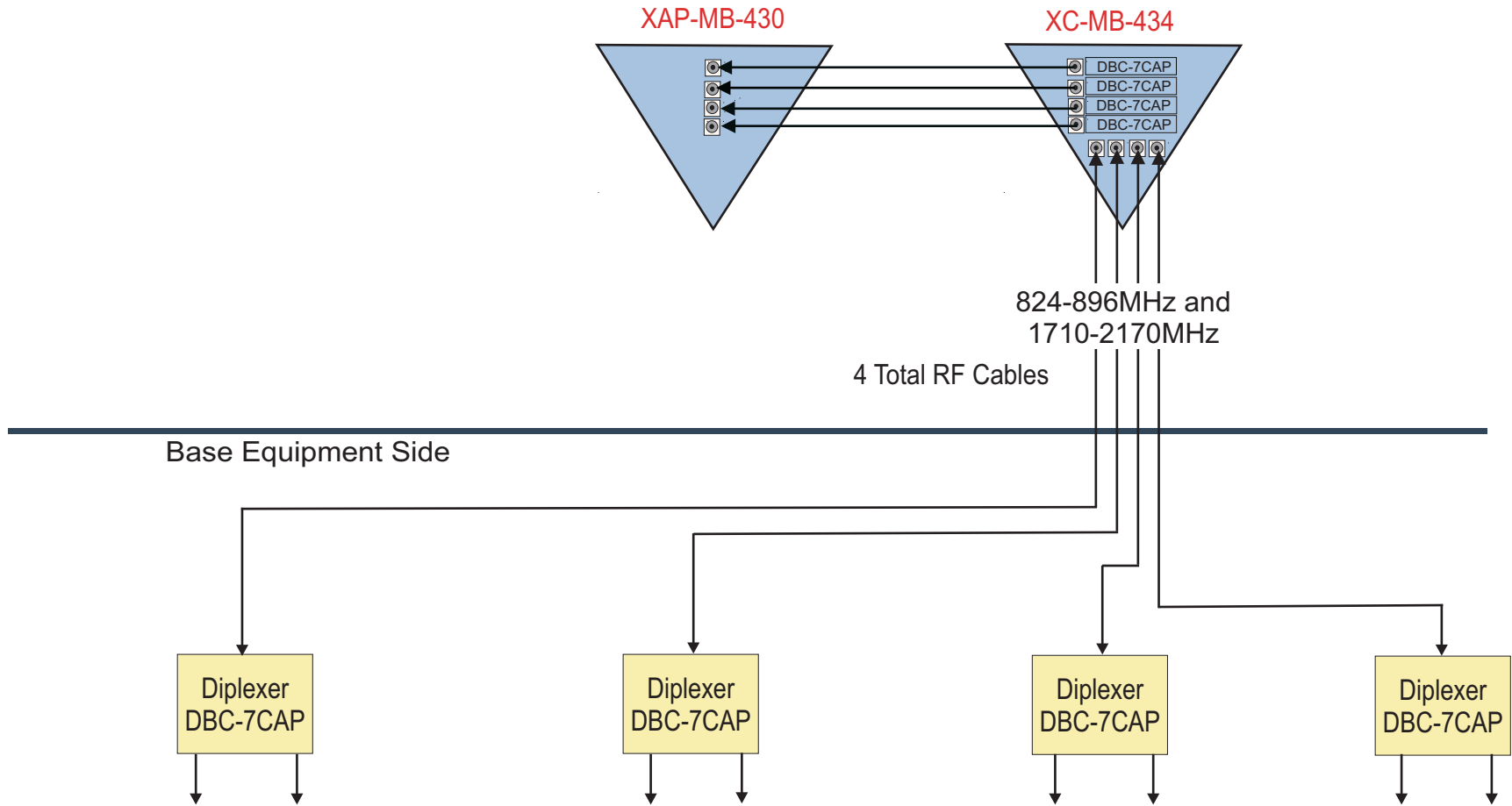


Four Antennas, two VPol, one XPol & one Split Beam Xpol, with Four Cables



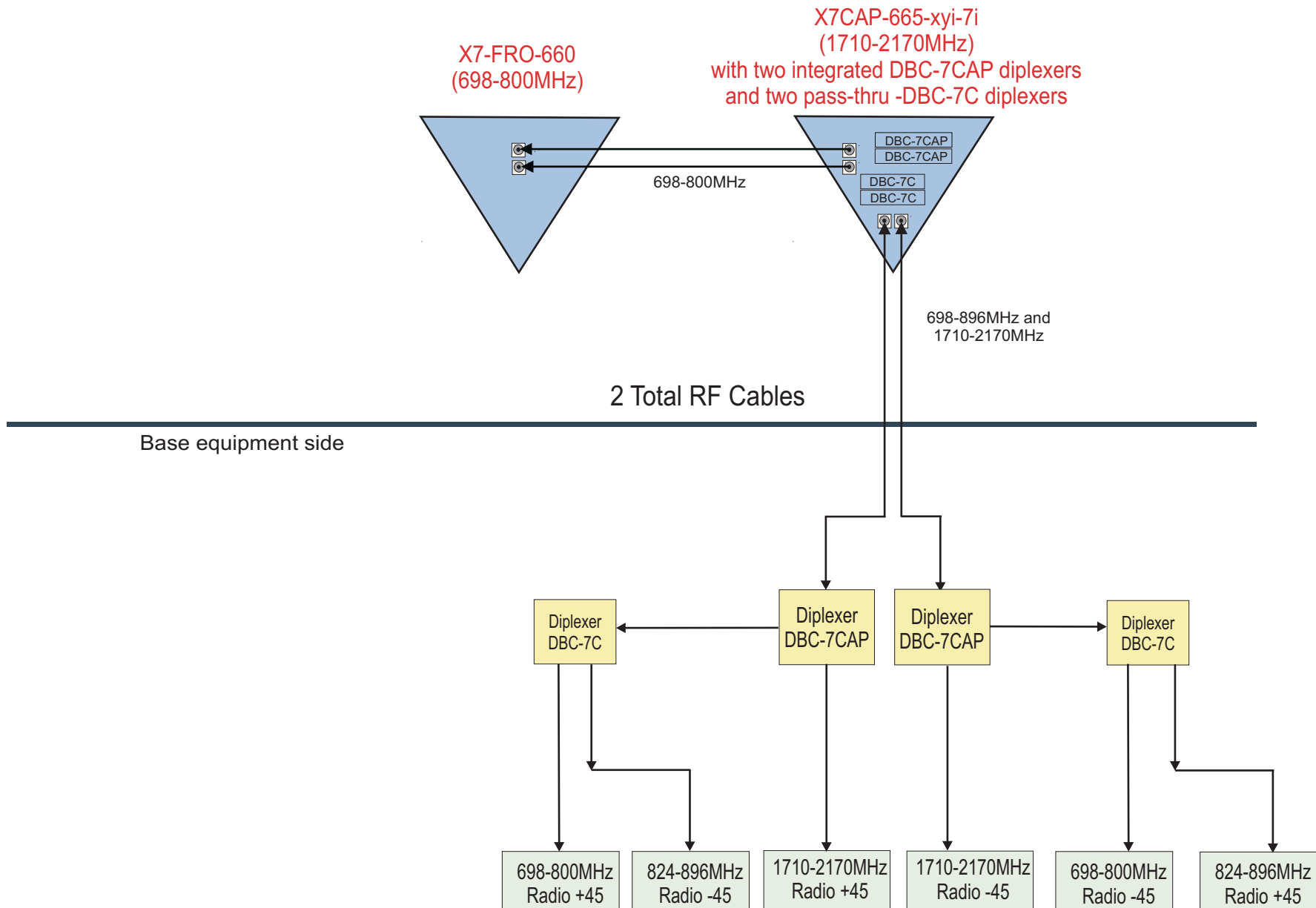


Two Split Beam Antennas with Four Cables



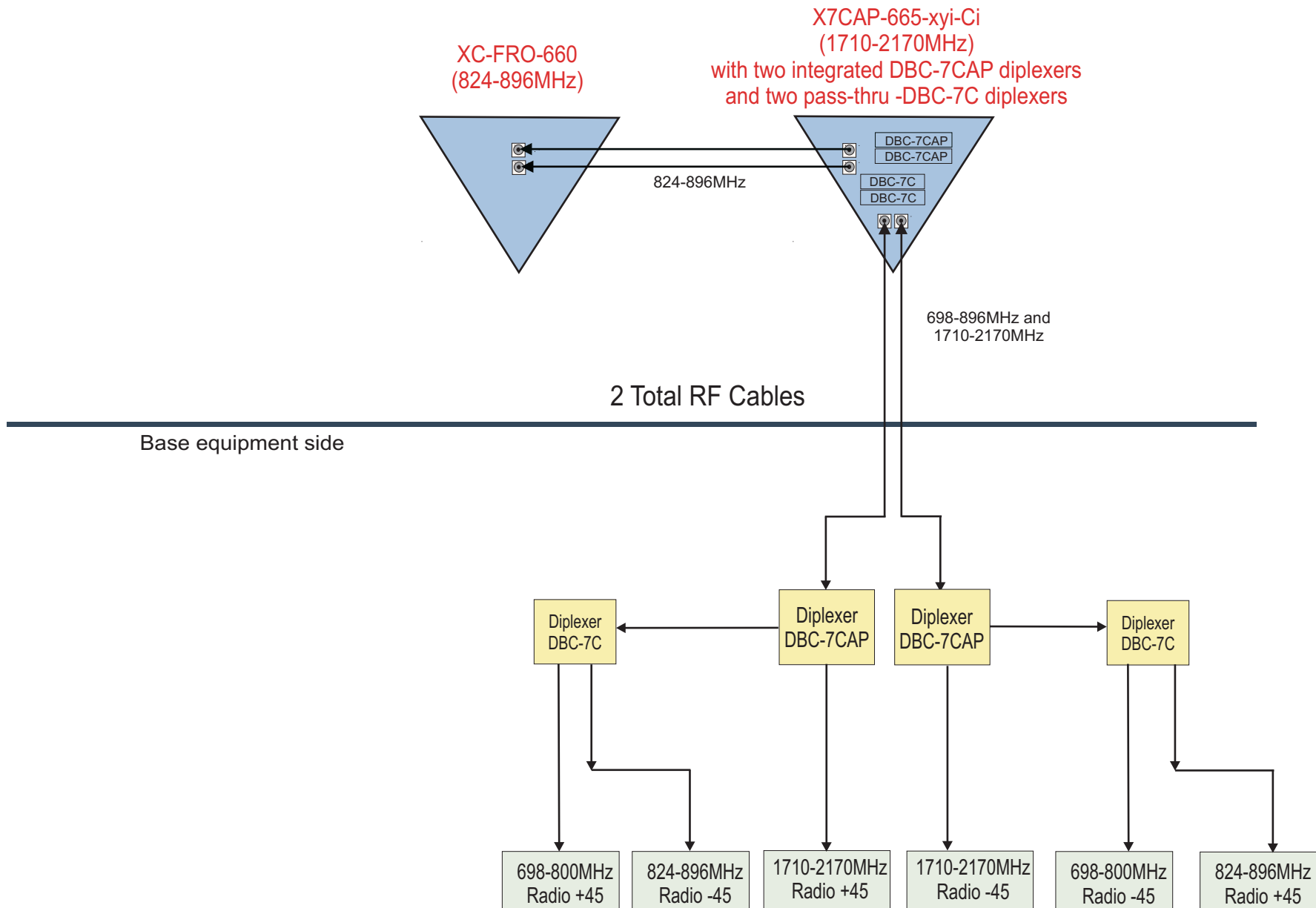


Two Antennas & Two Cables



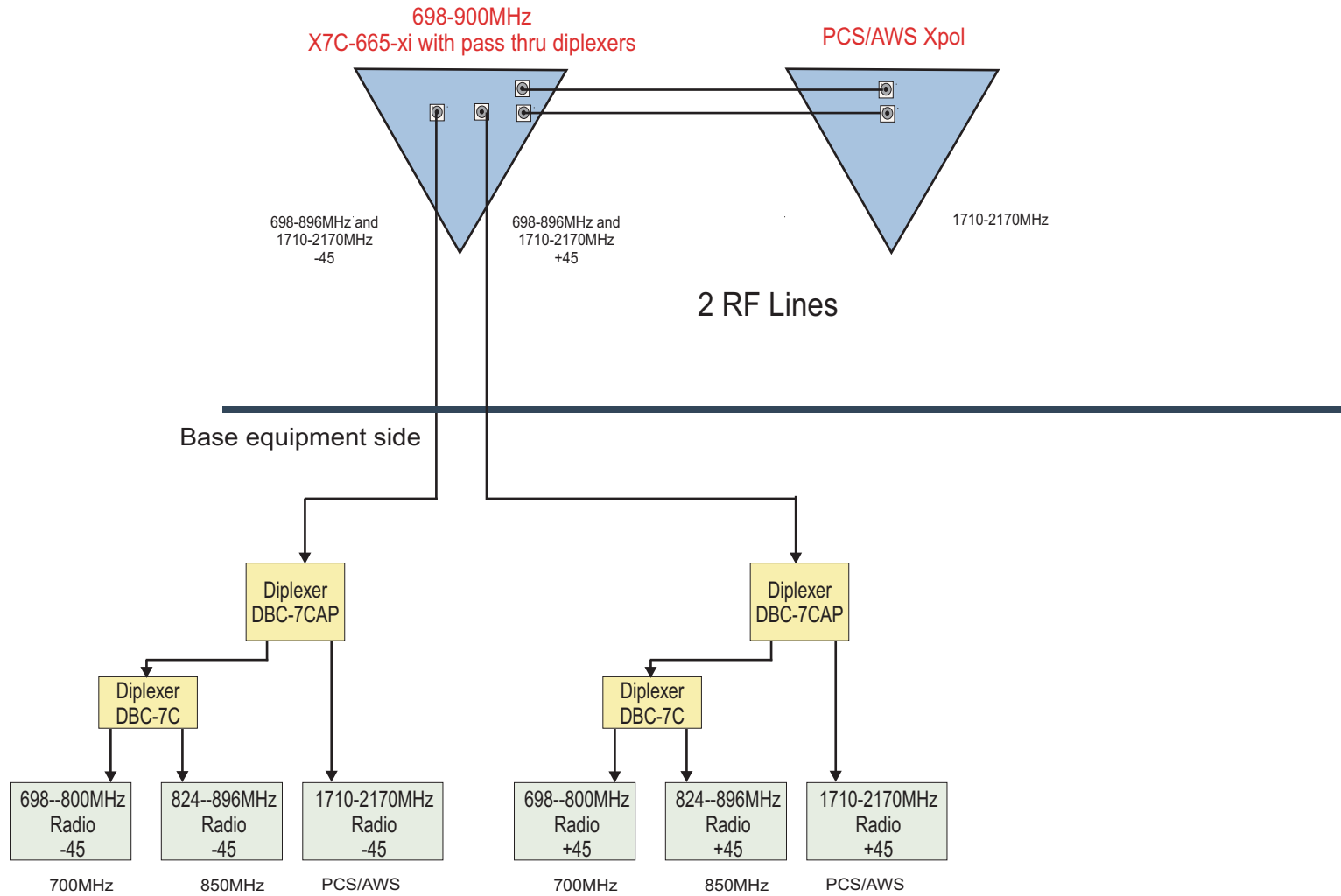


Two Antennas & Two Cables



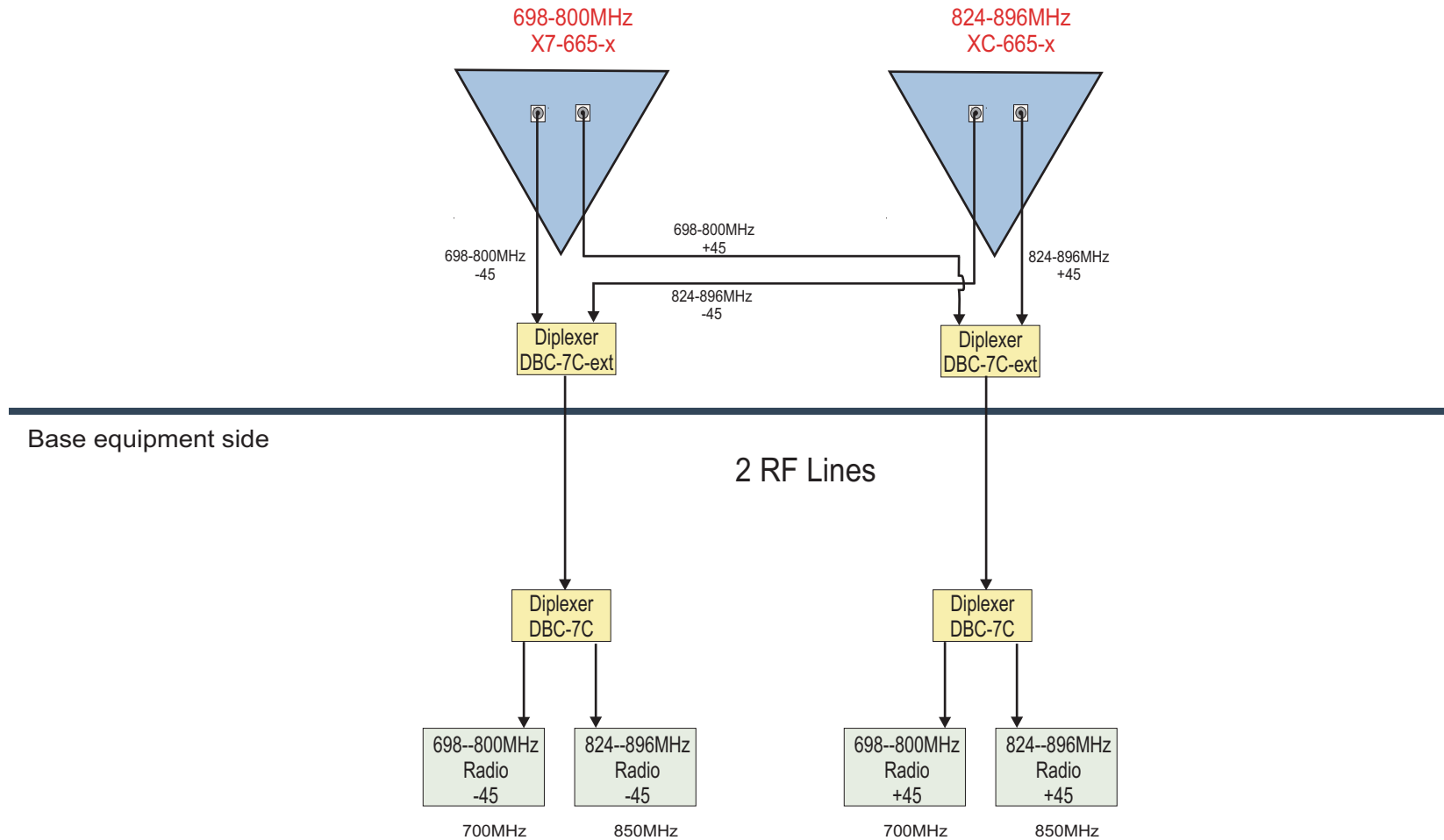


Two Antennas & Two Cables & Three Bands





Two Antennas & Two Cables & Two Bands





Two Antennas & Four Cables & Three Bands

