



Model Nomenclature

Directing our energies for you.

for antenna models beginning with X7, V7, X7C, V7C, V7CAP, X7CAP, X7P, CYL, FLG and XC

type of antenna & band - length & horizontal beam - electrical downtilt - options

X = X-pol Antenna
 V = Vertical pol Antenna
 CYL = Cylinder Antenna
 FLG = Flag Pole Antenna
 FRO = Fast Roll Antenna
 7 = antenna operates in 698-800 MHz band
 C = antenna operates in 824-896 MHz band
 P = antenna operates in 1850-1990 MHz PCS band
 A = antenna operates in 1710-2170 MHz AWS band

length of antenna in feet and horizontal beam in degrees

xy = electrical downtilt in degrees, where "x" is low band & "y" is high band

i = the antenna contains "i-opt", Integrated Diplexer(s)
 bot = bottom mounted DIN connector(s)
 j2 = 2 meters long, 1/2" RF jumper, terminated with male DIN's
 V = variable field adjust electrical downtilt (EDT)

Examples:

X7-680-4-bot

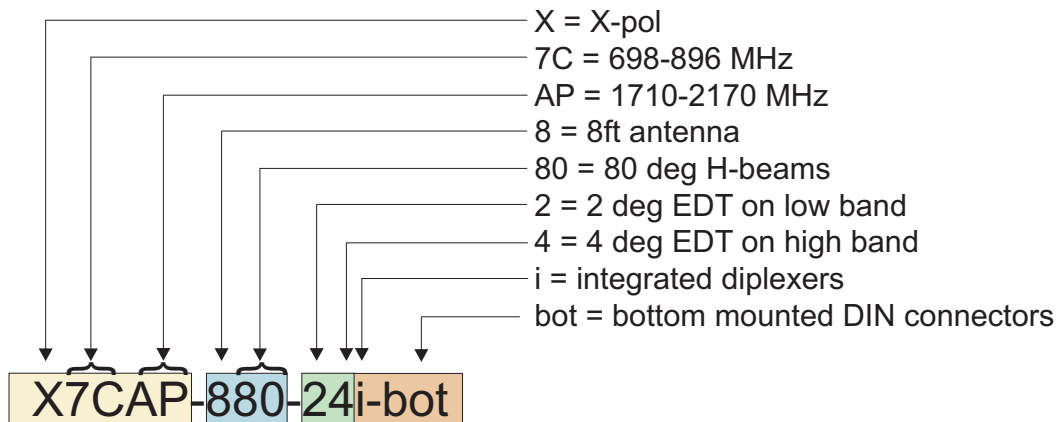
Description: xpol antenna, 698-800 MHz band, 6ft, 80 deg H-beam, 4 deg EDT, bottom mounted DIN

V7C-FRO-860-6i

Description: vpol antenna, 698-896 MHz band, fast roll-off, 8ft, 60 deg H-beam, 6 deg EDT with integrated diplexer

X7CAP-465-26

Description: xpol antenna, 698-896 & 1710-2170 MHz, 4ft, 65 deg H-beam, 2 deg EDT low & 6 deg EDT high band



CSS Antenna, Inc.
 Tel: 410-612-0080
customerservice@cssantenna.com
www.cssantenna.com